

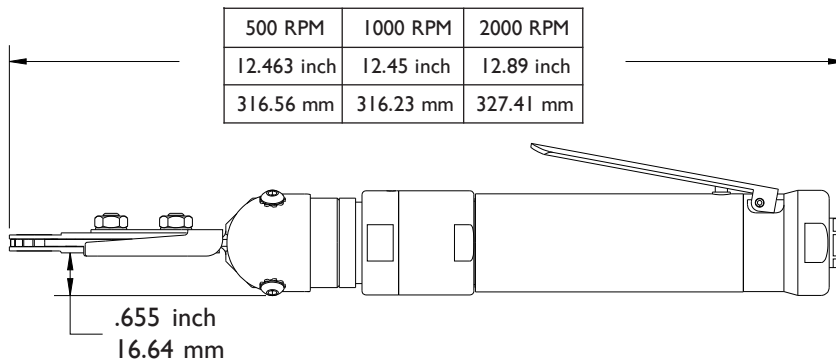
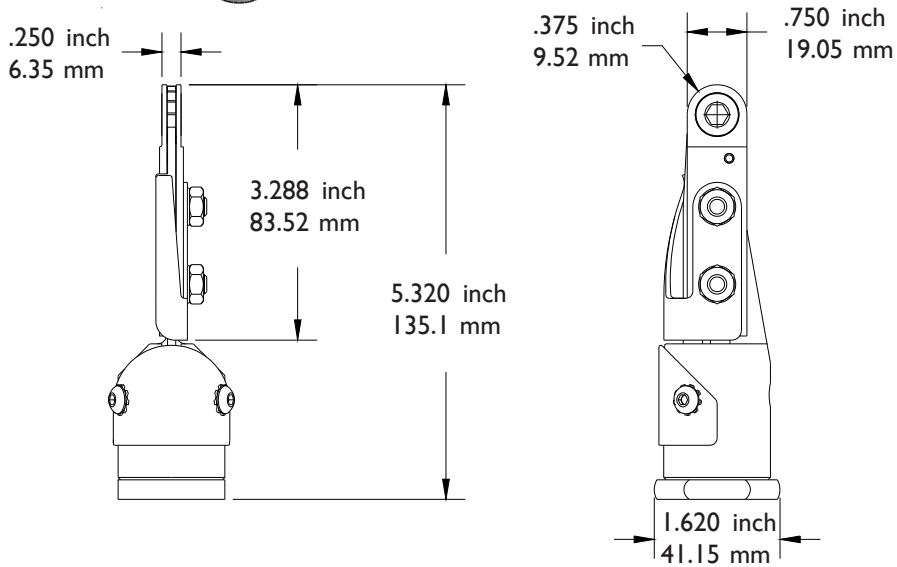
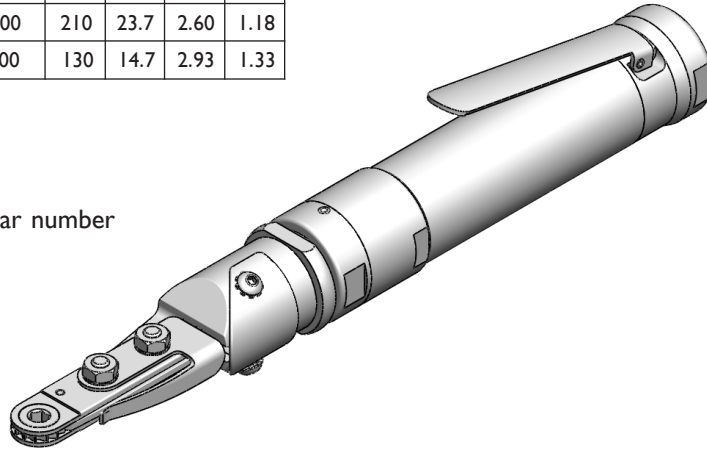
STRAIGHT RATCHET

20683 3/4" x 1/4" Ratchet Attachment



TOOL #	RPM	RPM	TORQUE		WEIGHT	
	Fastener	Motor	Inch	Nm	Lbs.	Kg.
20053-20683	72	500	300	33.9	2.78	1.26
20054-20683	143	1000	210	23.7	2.60	1.18
20055-20683	286	2000	130	14.7	2.93	1.33

20683 Attachment
 Shown with 20055 .85 HP
 2000 RPM Motor
 TOOL # 20055-20683-Gear number



FOR TWELVE POINT CONFIGURATION
 ADD X TO RATCHET GEAR PART NO.

RATCHET GEARS		
PART NO.	HEX SIZE	TYPE
15485	7/32	HEX THRU
1422	1/4	HEX THRU
1522	11/32	HEX THRU
1524	7/16	HEX THRU
1530	5/16	HEX THRU
1531	3/8	HEX THRU