

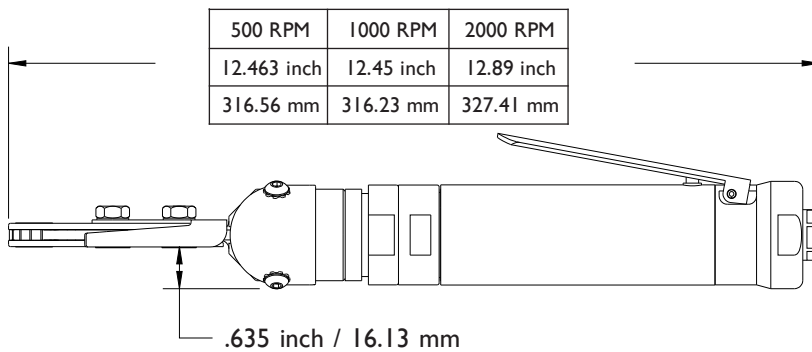
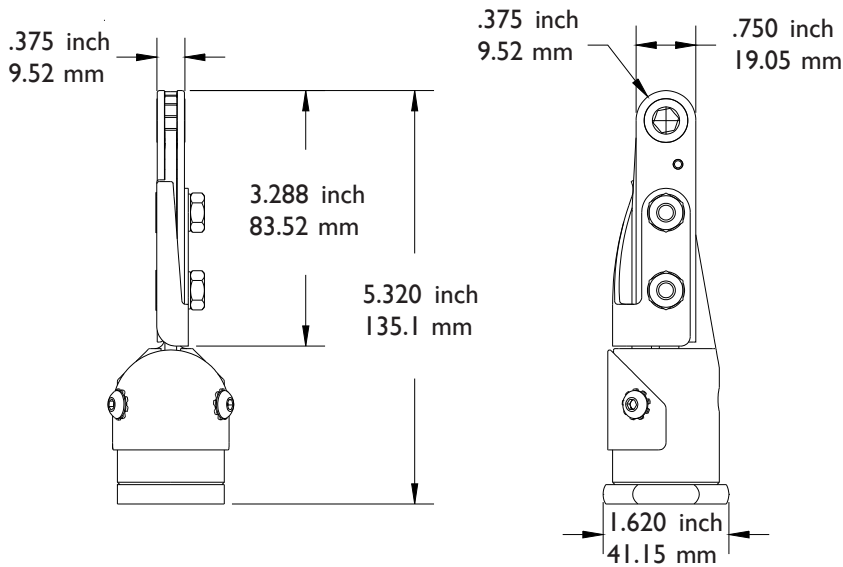
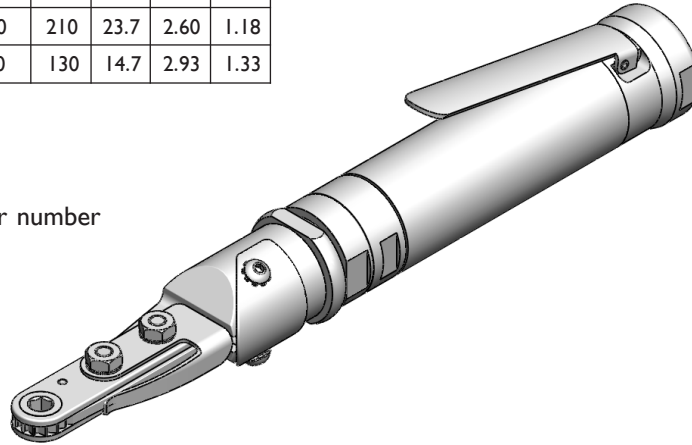
STRAIGHT RATCHET

20685 3/4" x 3/8" Ratchet Attachment



TOOL #	RPM	RPM	TORQUE		WEIGHT	
	Fastener	Motor	Inch	Nm	Lbs.	Kg.
20053-20685	72	500	300	33.9	2.78	1.26
20054-20685	143	1000	210	23.7	2.60	1.18
20055-20685	286	2000	130	14.7	2.93	1.33

20685 Attachment
 Shown with 20054 .85 HP
 1000 RPM Motor
 TOOL # 20054-20685-Gear number



RATCHET GEARS		
PART NO.	HEX SIZE	TYPE
15486	7/32	HEX THRU
9933	1/4	HEX THRU
1591	11/32	HEX THRU
1589	7/16	HEX THRU
1593	5/16	HEX THRU
1595	3/8	HEX THRU
14216	9/32	HEX THRU

FOR TWELVE POINT CONFIGURATION
 ADD X TO RATCHET GEAR PART NO.