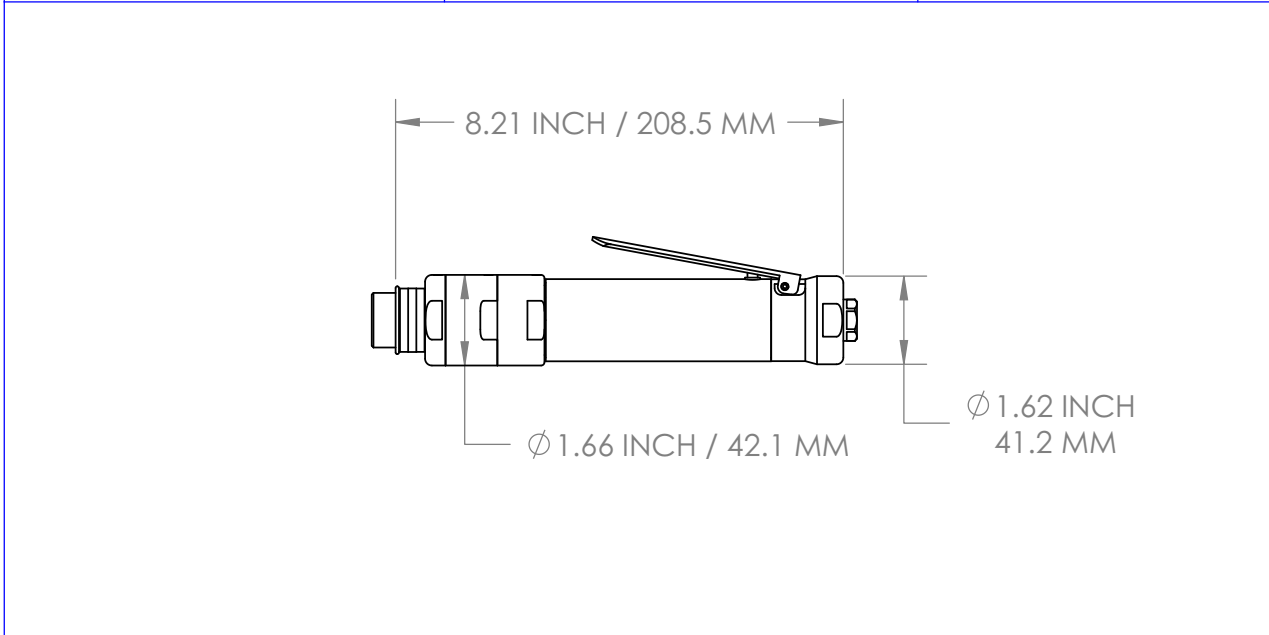


**JIFFY MODULAR INSTALLATION MOTOR (JMI)
 .85 H.P. STRAIGHT HANDLE
 REVERSE RUNNING**

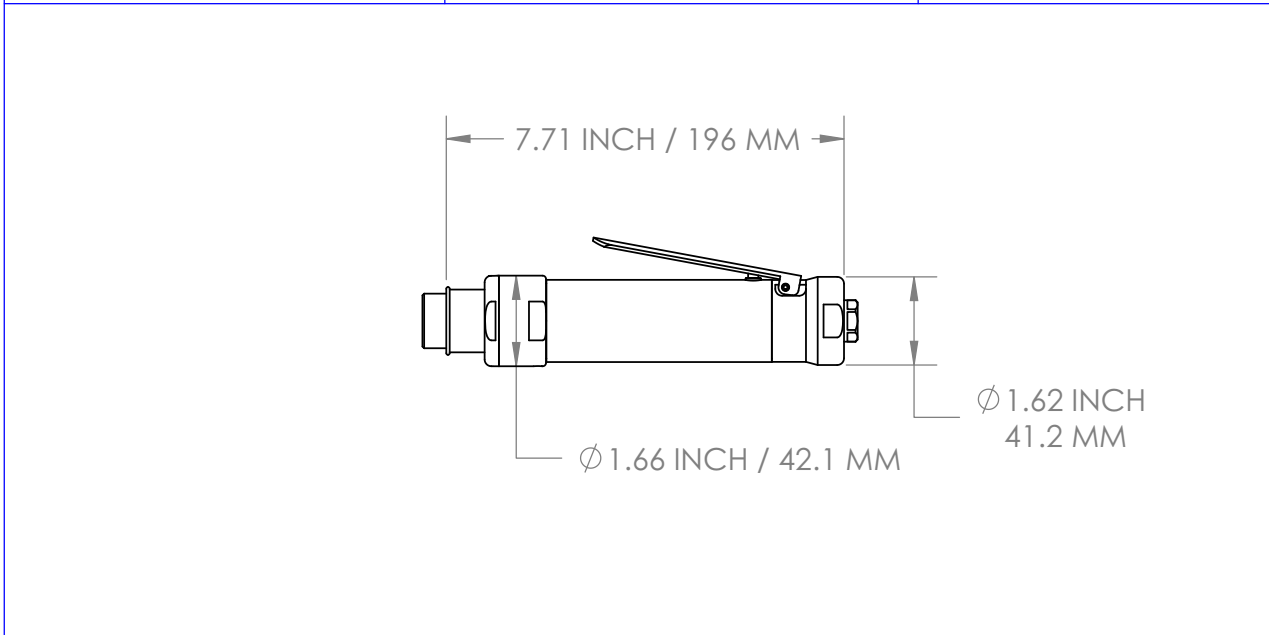


CE To conform to EC standards straight motors must be ordered with a safety lever (page 60)
 Add -I to motor order number to designate safety lever.

RPM	ORDER NUMBER	WEIGHT
250	20016	.65 LB / .30 KG



RPM	ORDER NUMBER	WEIGHT
500	20017	.62 LB / .28 KG



PHONE: I 775 883 1072 FAX: I 775 883 4857