

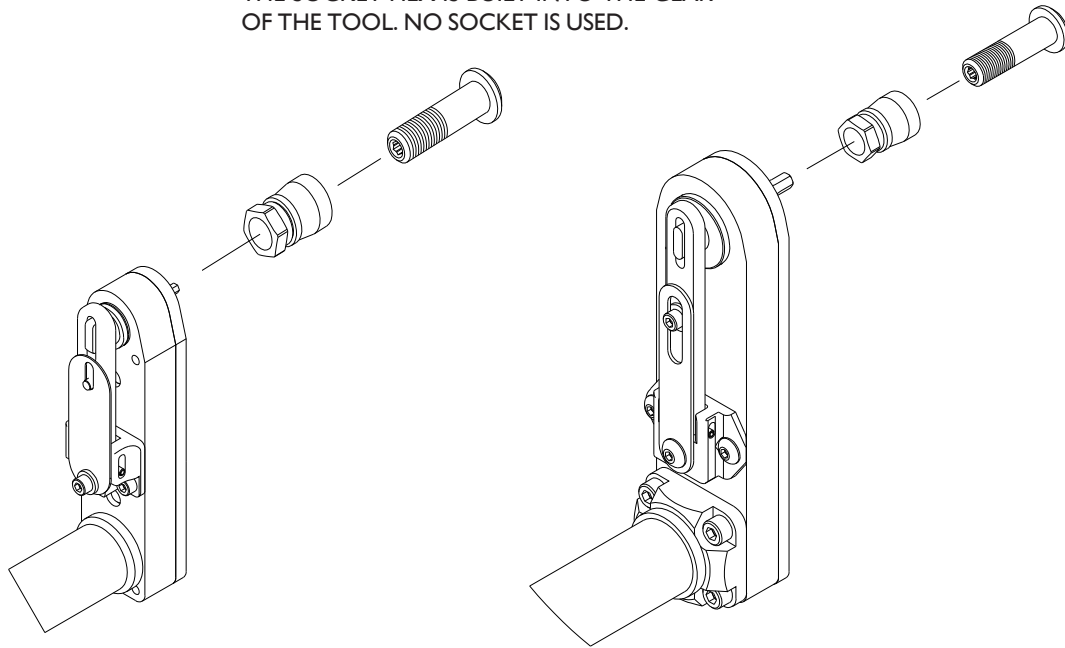
FITS SERIES 2 & 3 ATTACHMENTS



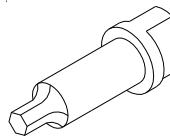
STALL FLUSH TYPE INSTALLATION

WRENCH KEY HEX CHART FOR
BREAK-AWAY FRANGIBLE COLLARS
FLUSH (NO SOCKET)

THE SOCKET HEX IS BUILT INTO THE GEAR
OF THE TOOL. NO SOCKET IS USED.



FLUSH JIFFY KEY



SERIES 2 AND 3 FLUSH STALL TYPE						
PIN HEX	1/16" / 1.59 mm	5/64" / 1.98 mm	3/32" / 2.38 mm	1/8" / 3.17 mm	5/32" / 3.97 mm	3/16" / 4.76 mm
JIFFY KEY STALL	18155	18156	18157	18158	18935	18936