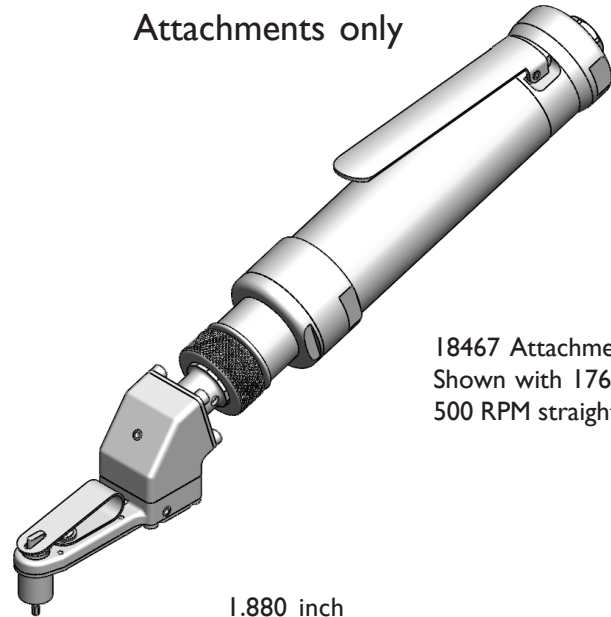


# 17 DEG SERIES 1 60 Inch Lbs / 6.77 Nm

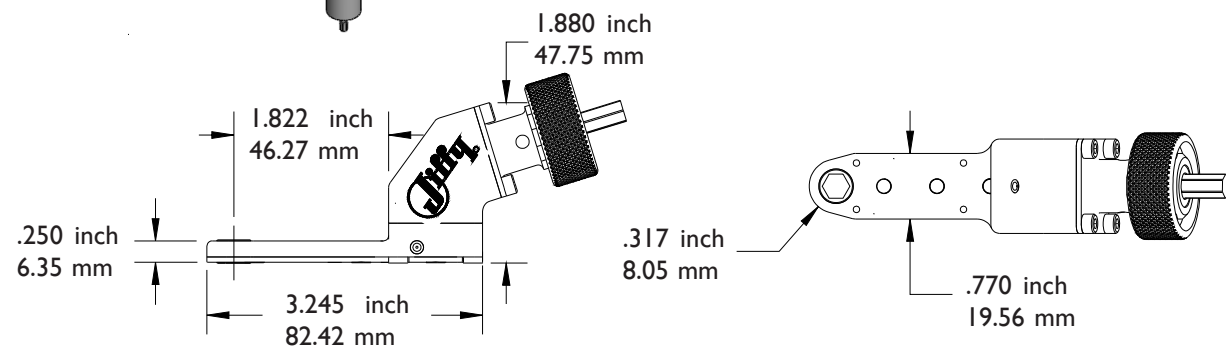


17 DEGREE FIXED INSTALLATION  
.317 inch / 8.05mm center to edge distance

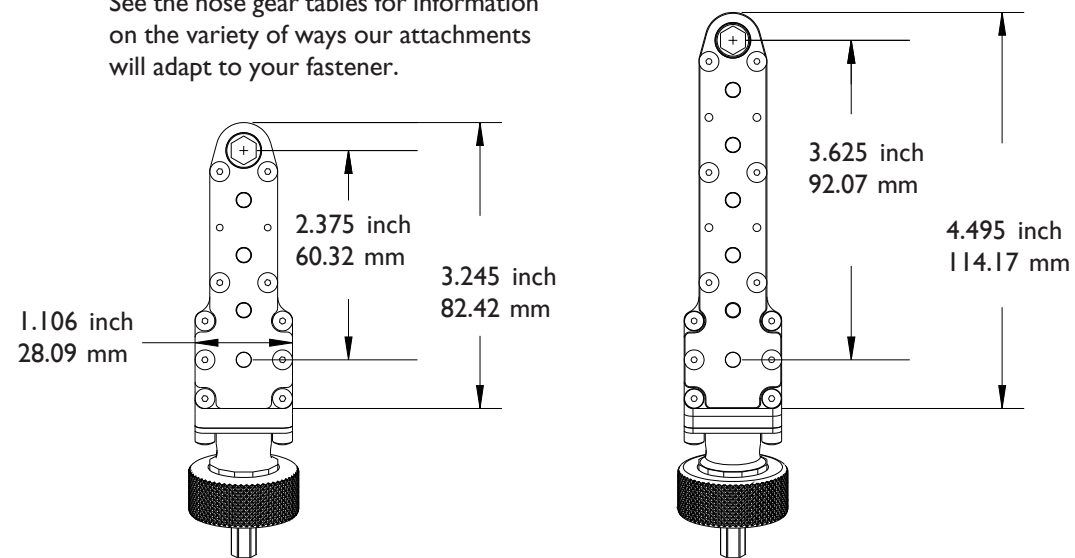
Attachments only



18467 Attachment  
Shown with 17676 .85 hp  
500 RPM straight motor



You must select a nose gear to order an attachment. See the nose gear tables for information on the variety of ways our attachments will adapt to your fastener.



18467 ATTACHMENT

20072 ATTACHMENT

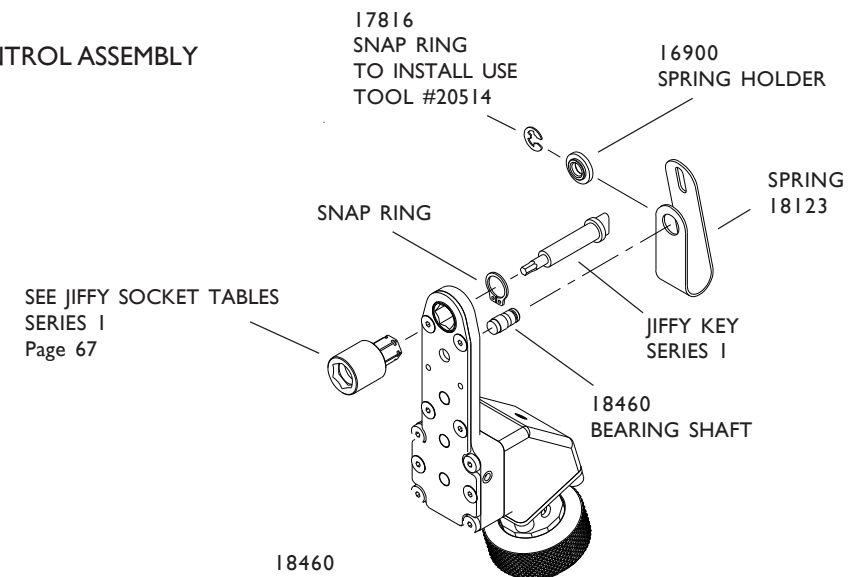
PHONE: 775 883 1072 FAX: 775 883 4857

# 17 DEG SERIES 1 60 Inch Lbs / 6.77 Nm

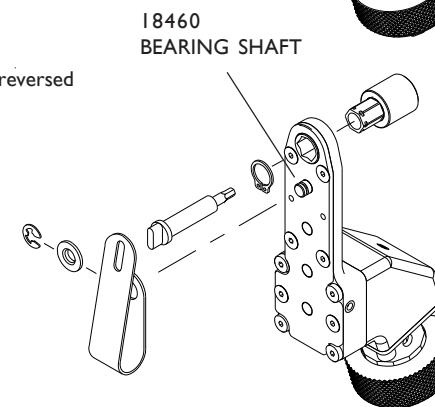


17 DEGREE FIXED INSTALLATION  
.317 inch / 8.05mm center to edge distance

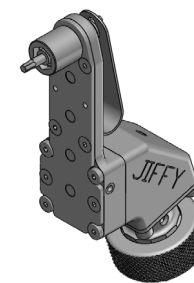
## 18943 JIFFY KEY CONTROL ASSEMBLY



For BACK DRIVE setup the 18460 bearing shaft must be reversed. You must specify BACK DRIVE when ordering. Reversible or reverse running motor required.

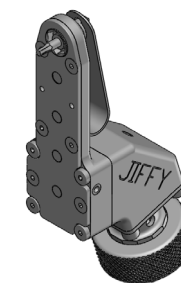


## Nose Gear Selection



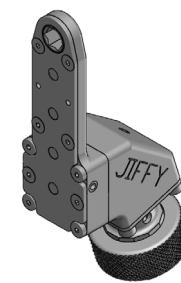
The SOCKET DRIVER will adapt the attachment to accept Series I Sockets starting on Page 67. Order with or without the Jiffy Key System.

| PART NO. | SIZE | TYPE          |
|----------|------|---------------|
| 12465    | 9/32 | SOCKET DRIVER |
| 13186    | 1/4  | SQ DRIVE MALE |



HEX FLUSH  
The socket is built into the nose gear. Choose the Hex Flush gear and Key from the table or order without the Jiffy Key System.

| PART NO.         | HEX SIZE | TYPE        |
|------------------|----------|-------------|
| 20400            | 7/32     | HEX FLUSH   |
| 20069            | 1/4      | HEX FLUSH   |
| 20402            | 9/32     | HEX FLUSH   |
| JIFFY KEYS FLUSH |          |             |
| KEY HEX          | 1/16     | 5/64 3/32   |
| PART NO.         | 18932    | 18933 18934 |



HEX THRU  
The hex listed runs completely through the nose gear. No key system is used.

| PART NO. | HEX SIZE | TYPE     |
|----------|----------|----------|
| 12657    | 7/32     | HEX THRU |
| 13187    | 1/4      | HEX THRU |
| 13188    | 9/32     | HEX THRU |

PHONE: 775 883 1072 FAX: 775 883 4857