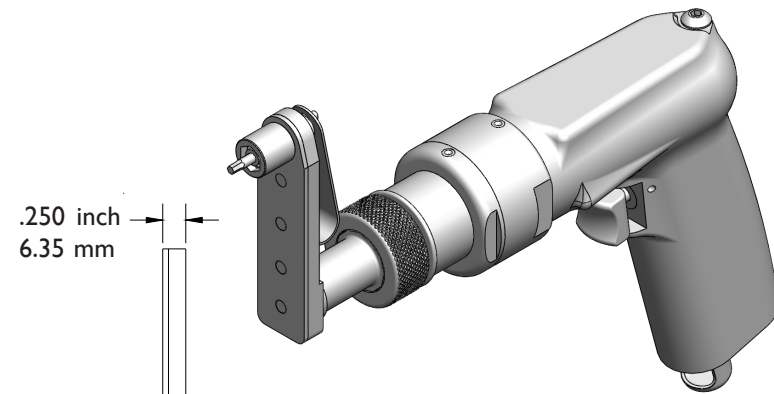


# LTI SERIES 1 60 Inch Lbs / 6.77 Nm

L TYPE INSTALLATION .317 inch / 8.05mm center to edge distance

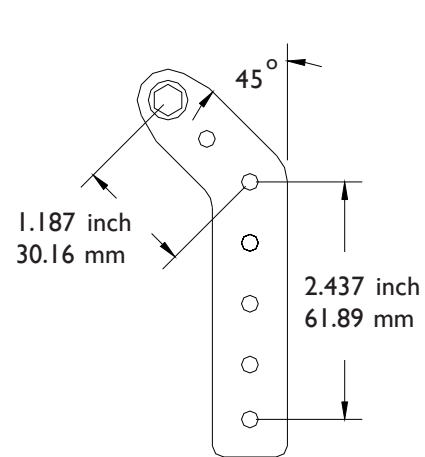
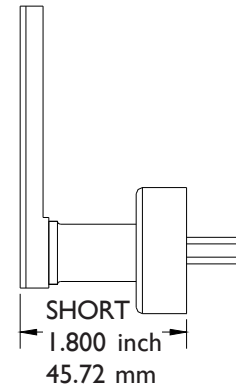
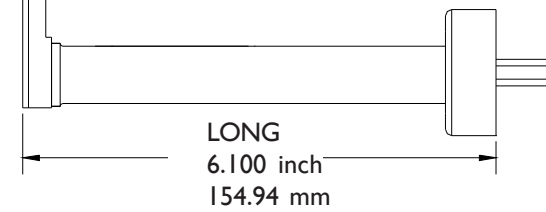


Attachments only

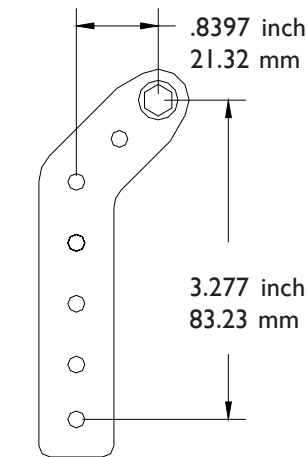


14480 Attachment  
Shown with 17882 .85 hp  
500 RPM offset motor

.250 inch  
6.35 mm

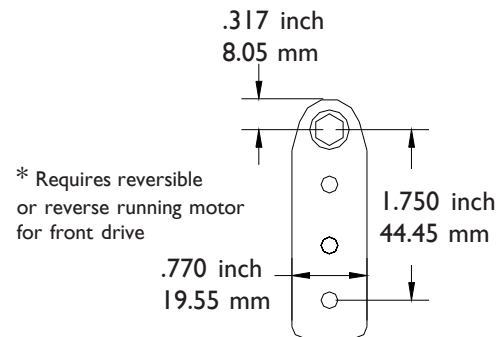


RIGHT HAND  
13198 Long  
13199 Short

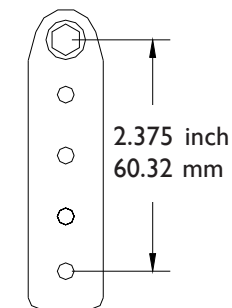


LEFT HAND  
13200 Long  
13201 Short

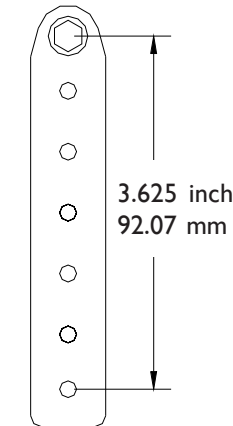
You must select a nose gear to order an attachment. See the nose gear tables for information on the variety of ways our attachments will adapt to your fastener.



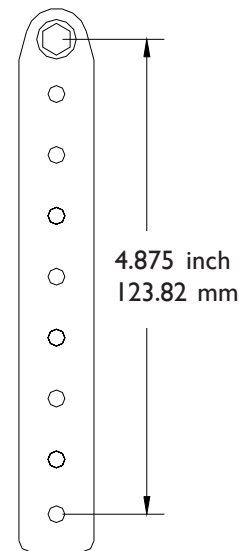
13192\* Long  
13193\* Short



14479 Long  
14480 Short



13194 Long  
13195 Short



13196 Long  
13197 Short

\* Requires reversible or reverse running motor for front drive

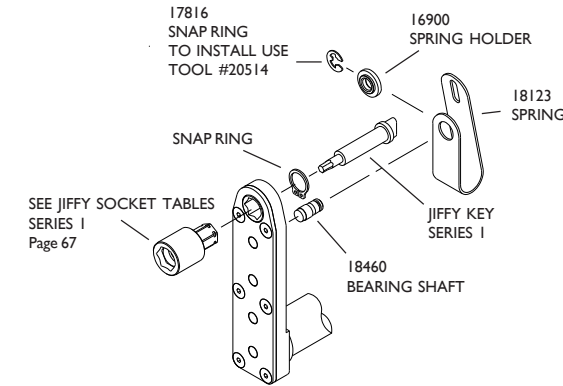
PHONE: 775 883 1072 FAX: 775 883 4857

# LTI SERIES 1 60 Inch Lbs / 6.77 Nm

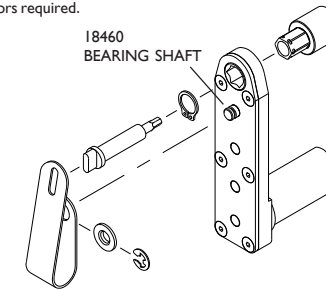
L TYPE INSTALLATION .317 inch / 8.05mm center to edge distance



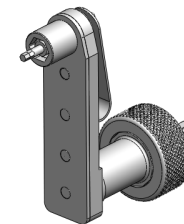
## 18943 JIFFY KEY CONTROL ASSEMBLY



For BACK DRIVE setup the 18460 bearing shaft must be reversed. You must specify BACK DRIVE when ordering. Reversible or reverse running motors required.

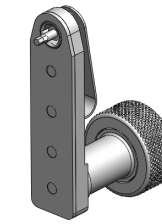


## Nose Gear Selection



The SOCKET DRIVER will adapt the attachment to accept Series 1 Sockets starting on Page 67. Order with or without the Jifty Key System.

| PART NO. | SIZE | TYPE          |
|----------|------|---------------|
| 12465    | 9/32 | SOCKET DRIVER |
| 13186    | 1/4  | SQ DRIVE MALE |

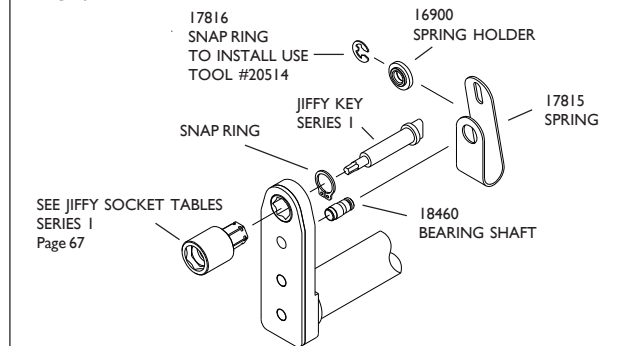


HEX FLUSH  
The socket is built into the nose gear. Choose the Hex Flush gear and Key from the table or order without the Jifty Key System.

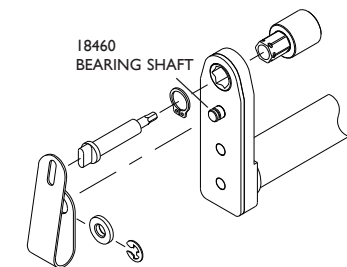
| PART NO.         | HEX SIZE | TYPE        |
|------------------|----------|-------------|
| 20400            | 7/32     | HEX FLUSH   |
| 20069            | 1/4      | HEX FLUSH   |
| 20402            | 9/32     | HEX FLUSH   |
| JIFFY KEYS FLUSH |          |             |
| KEY HEX          | 1/16     | 5/64 3/32   |
| PART NO.         | 18932    | 18933 18934 |

## 18942 JIFFY KEY CONTROL ASSEMBLY

ATTACHMENTS 13192 & 13193 (4 GEAR) ONLY  
Reversible or reverse running motors required.



For BACK DRIVE setup the 18460 bearing shaft must be reversed. You must specify BACK DRIVE when ordering.



PHONE: 775 883 1072 FAX: 775 883 4857

HEX THRU  
The hex listed runs completely through the nose gear. No key system is used.

| PART NO. | HEX SIZE | TYPE     |
|----------|----------|----------|
| 12657    | 7/32     | HEX THRU |
| 13187    | 1/4      | HEX THRU |
| 13188    | 9/32     | HEX THRU |