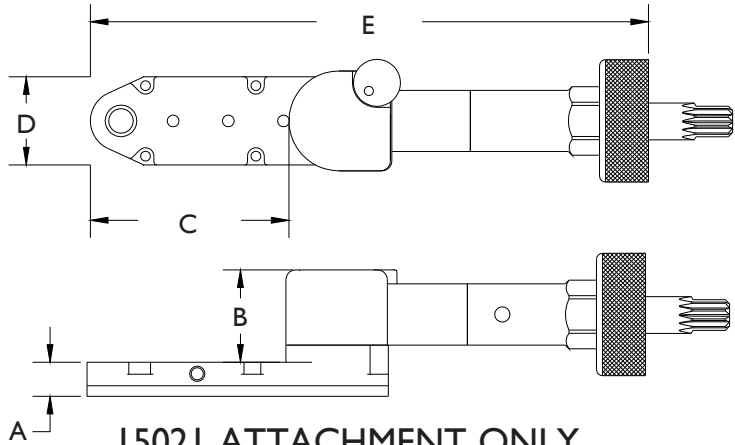


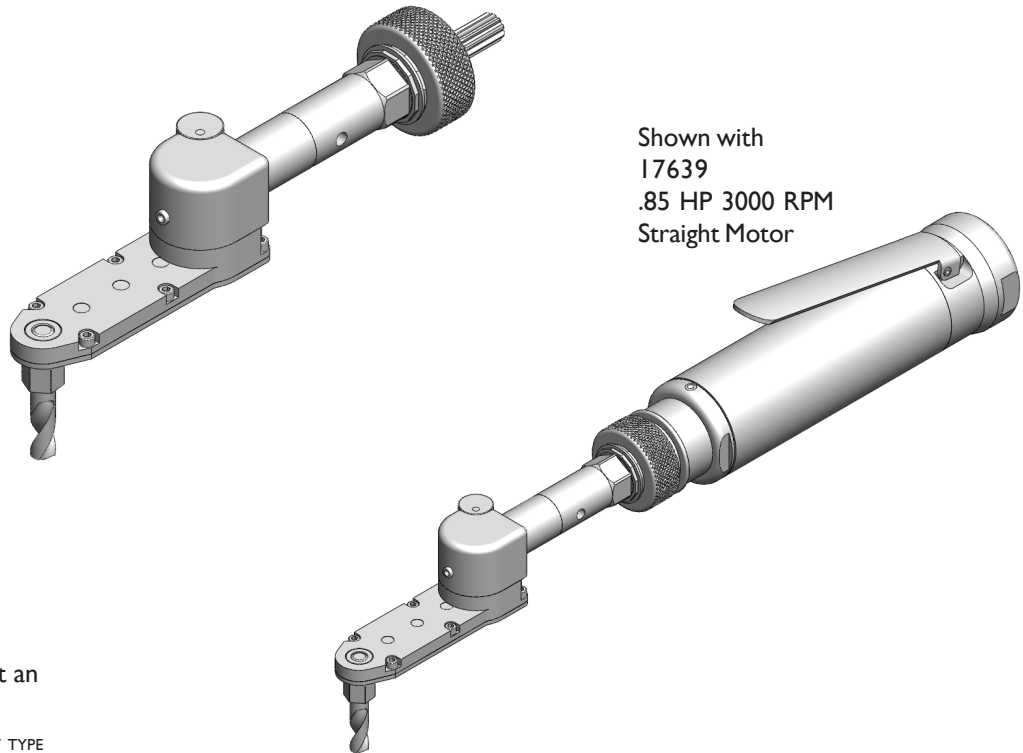
| | A | B | C | D | E | SERIES 2 PANCAKE DRILL | |
|------|------|-------|-------|-------|-------|---------------------------------------|---------|
| INCH | .350 | .943 | 2.027 | .900 | 5.774 | MAXIMUM RECOMMENDED DRILL DIAMETER | .250 |
| MM | 8.89 | 23.95 | 51.48 | 22.86 | 146.6 | | 6.35 mm |



ALL BEARING INDEXABLE PANCAKE DRILLS

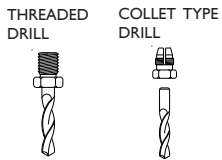


1502I ATTACHMENT ONLY
PART OF THE JIFFY MODULAR DRILL SYSTEM

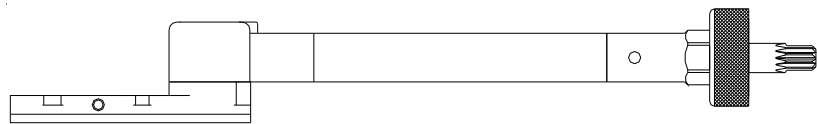


Shown with
17639
.85 HP 3000 RPM
Straight Motor

You must select an
internal thread



| INTERNAL THREAD CODE | |
|----------------------|---|
| 1/4-28 | A |
| 10-32 | C |
| 9/32-40 | E |
| 5/16-24 | F |
| 7mm COLLET | D |



ATTACHMENT SHOWN WITH OPTIONAL
3.750" 95.25mm G EXTENSION ASSEMBLY

PHONE: 775 883 1072 FAX: 775 883 4857