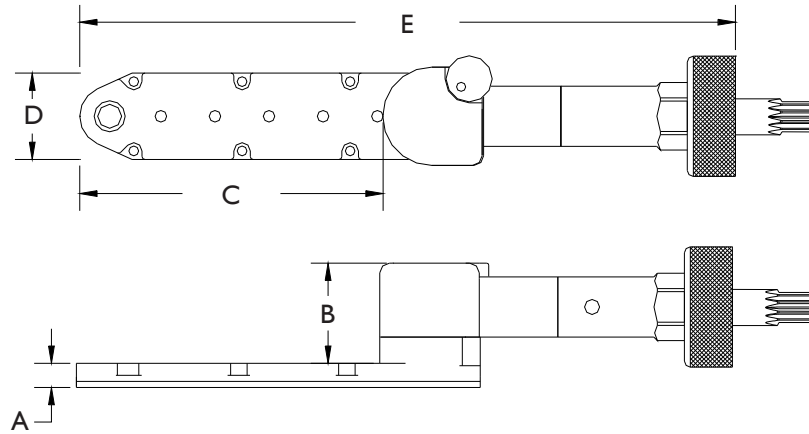


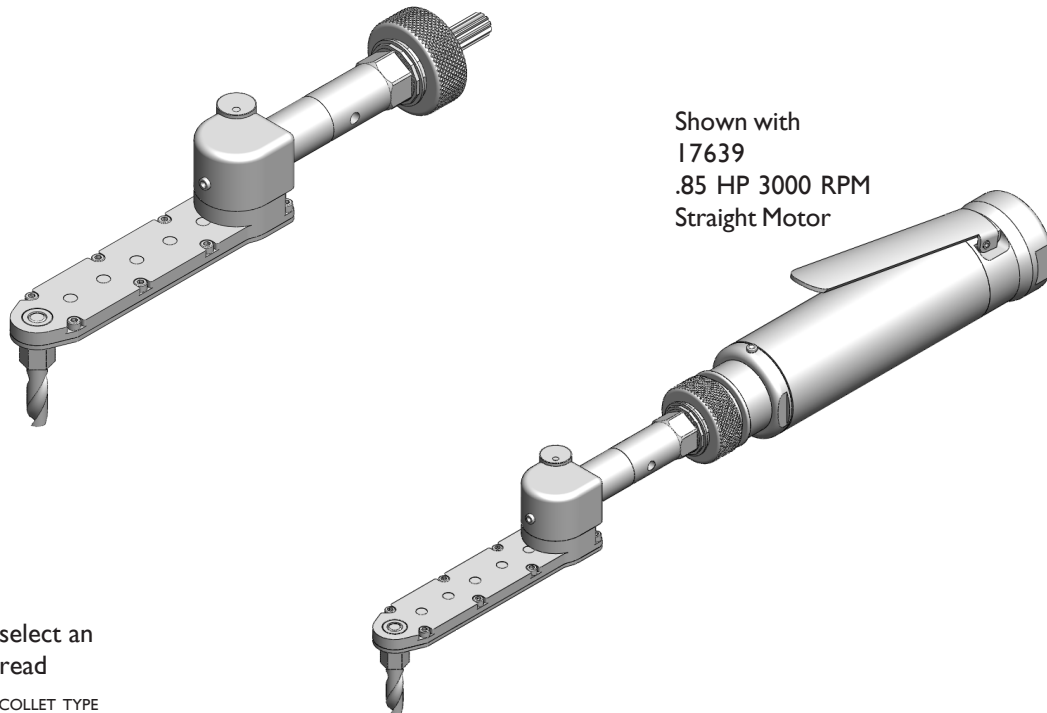
	A	B	C	D	E	<b>SERIES I PANCAKE DRILL</b>	
INCH	.250	1.042	3.152	.900	6.899	MAXIMUM RECOMMENDED DRILL DIAMETER	.1875
MM	6.35	26.46	80.06	22.86	175.2		4.76 mm



**ALL BEARING INDEXABLE PANCAKE DRILLS**

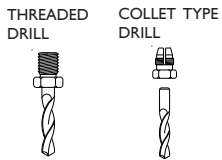


**16769 ATTACHMENT ONLY  
PART OF THE JIFFY MODULAR DRILL SYSTEM**

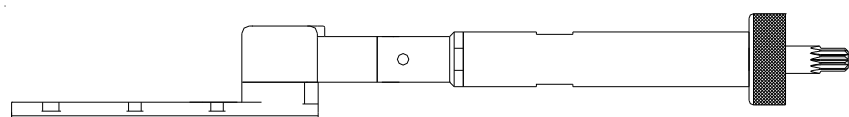


Shown with  
17639  
.85 HP 3000 RPM  
Straight Motor

You must select an  
internal thread



INTERNAL THREAD CODE	
1/4-28	A
10-32	C
9/32-40	E
5/16-24	F
7mm COLLET	D



ATTACHMENT SHOWN WITH OPTIONAL  
3.750" 95.25mm G EXTENSION ASSEMBLY

PHONE: 775 883 1072 FAX: 775 883 4857