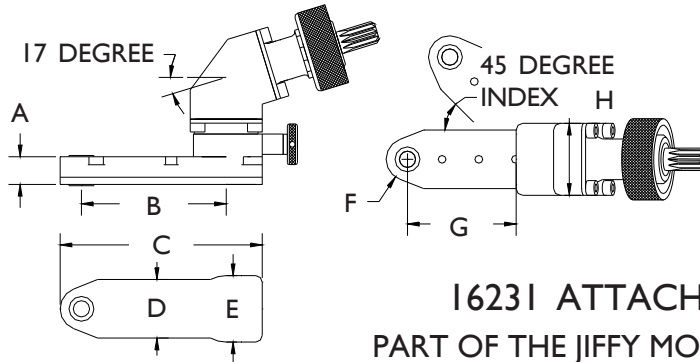


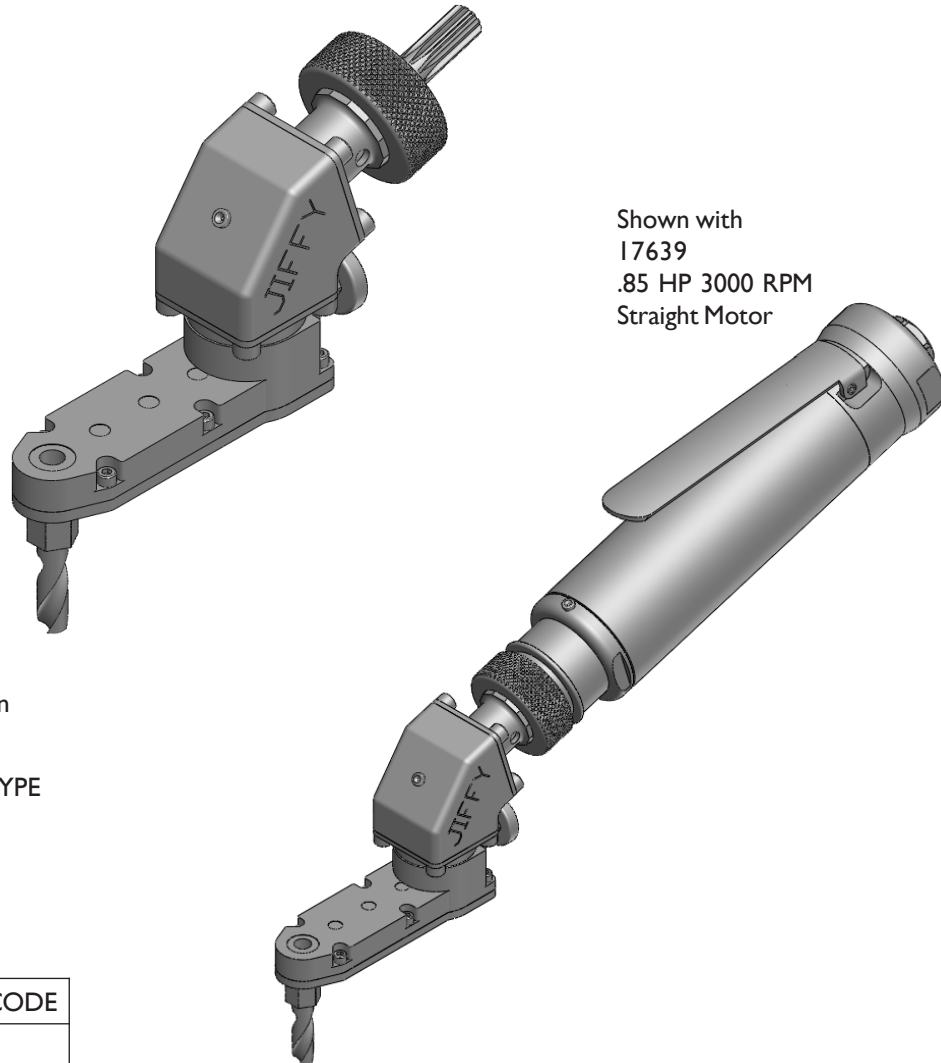
	A	B	C	D	E	F	G	H	SERIES 3 17 DEGREE DRILL	
INCH	.425	2.23	3.1	.90	1.02	.327	1.68	1.10	MAXIMUM RECOMMENDED DRILL DIAMETER	.312 INCH
MM	10.79	56.6	78.7	22.8	25.9	8.3	42.6	27.9		7.92 mm



## SERIES 3 INDEXABLE 17 DEGREE DRILLS

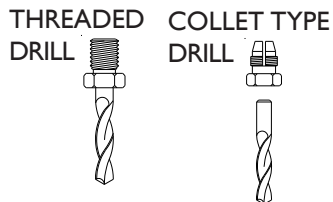


16231 ATTACHMENT ONLY  
PART OF THE JIFFY MODULAR DRILL SYSTEM



Shown with  
17639  
.85 HP 3000 RPM  
Straight Motor

You must select an  
internal thread



INTERNAL THREAD CODE	
1/4-28	A
10-32	C
9/32-40	E
5/16-24	F
7mm COLLET	D

PHONE: | 775 883 1072 FAX: | 775 883 4857