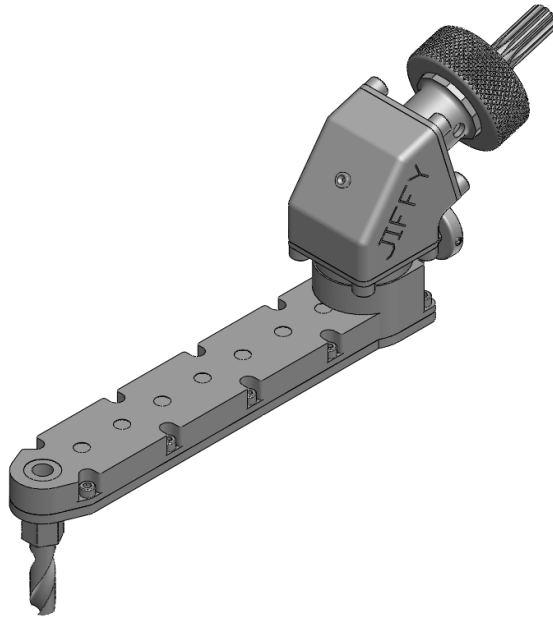
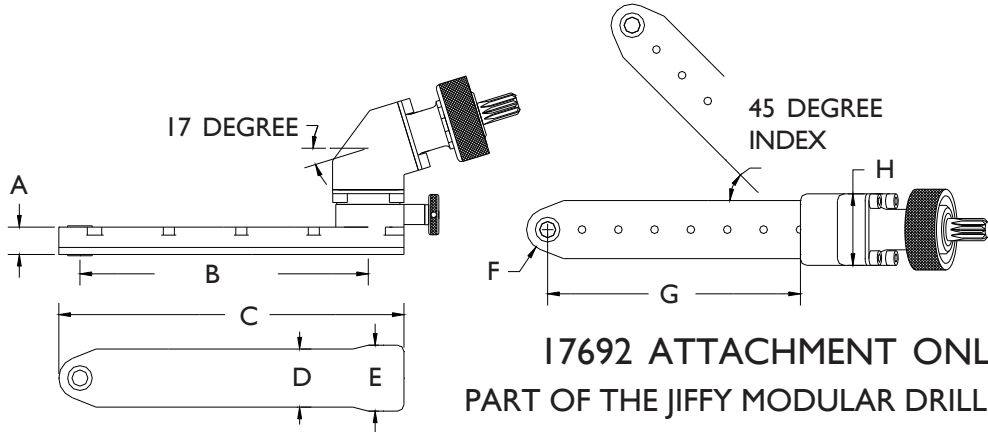


	A	B	C	D	E	F	G	H	SERIES 3 17 DEGREE DRILL	
INCH	.425	4.48	5.35	.90	1.02	.327	3.93	1.10	MAXIMUM RECOMMENDED	.312 INCH
MM	10.79	113.8	135.9	22.8	25.9	8.3	99.8	27.9	DRILL DIAMETER	7.92 mm

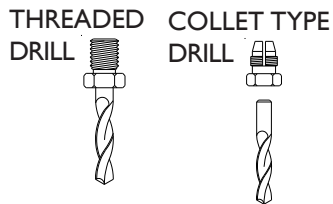


## SERIES 3 INDEXABLE 17 DEGREE DRILLS

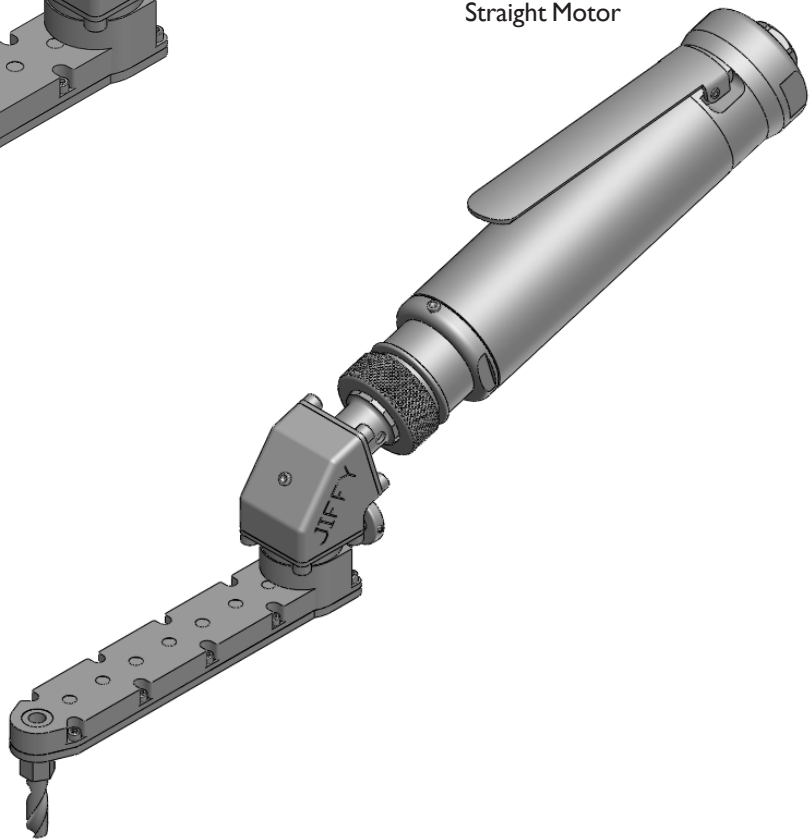


Shown with  
17639  
.85 HP 3000 RPM  
Straight Motor

You must select an  
internal thread



INTERNAL THREAD CODE	
1/4-28	A
10-32	C
9/32-40	E
5/16-24	F
7mm COLLET	D



PHONE: 1 775 883 1072 FAX: 1 775 883 4857