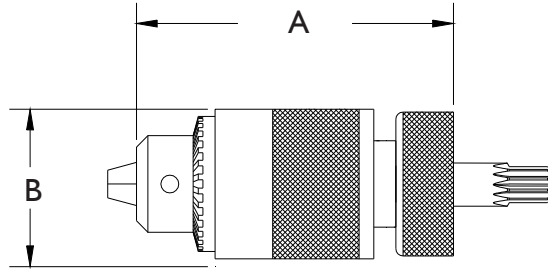


	A	B	0-1/4 CHUCK	
INCH	2.750	1.368	MAXIMUM RECOMMENDED	.250
MM	69.85	34.74	DRILL DIAMETER	6.35 mm



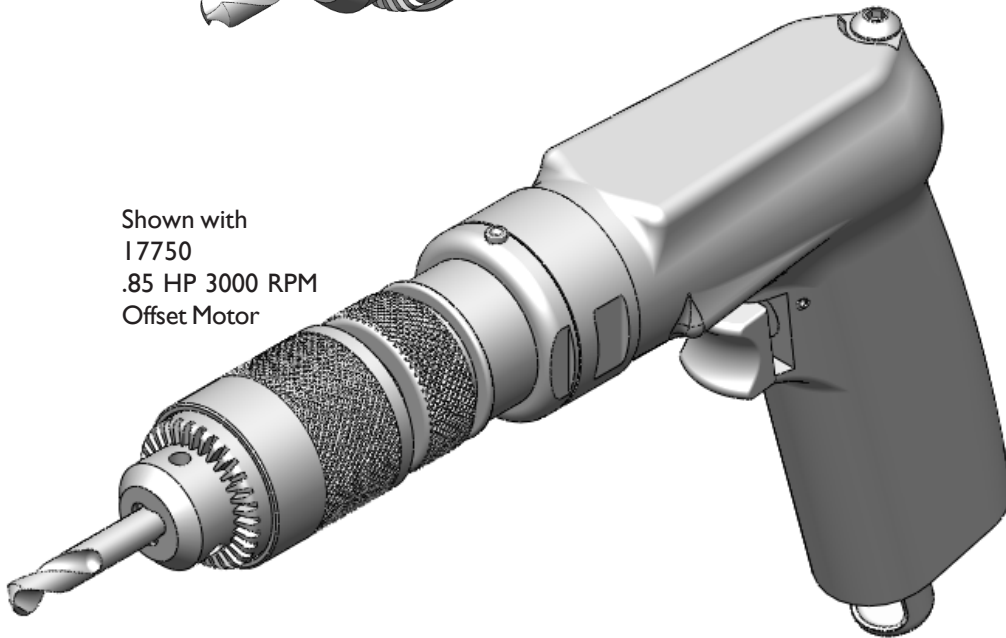
0-1/4 CHUCK ATTACHMENT
I5034 ATTACHMENT ONLY



WITH CHUCK GUARD
CHUCK KEY AND LEASH INCLUDED



Shown with
I7750
.85 HP 3000 RPM
Offset Motor



PHONE: I 775 883 1072 FAX: I 775 883 4857