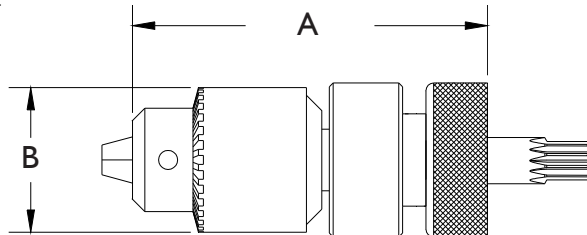


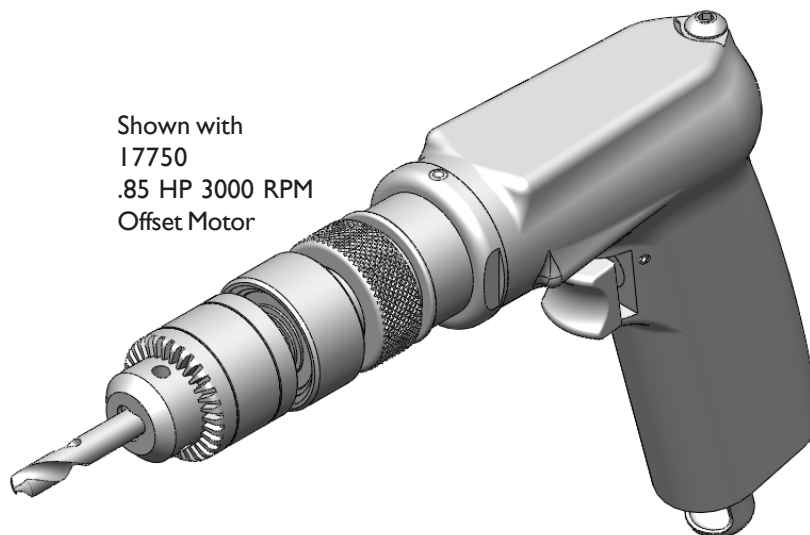
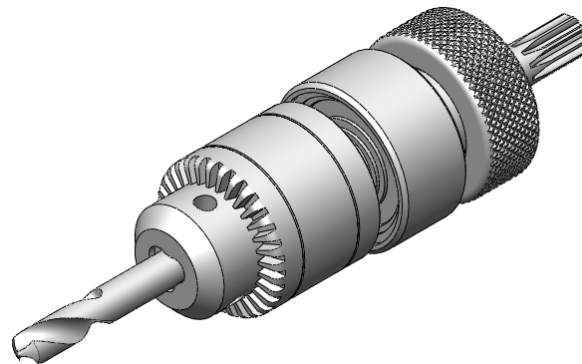
	A	B	0-1/4 CHUCK	
INCH	2.892	1.174	MAXIMUM RECOMMENDED	.250
MM	73.45	29.81	DRILL DIAMETER	6.35 mm



0-1/4 CHUCK ATTACHMENT  
I5053 ATTACHMENT ONLY



CHUCK KEY AND LEASH INCLUDED



Shown with  
I7750  
.85 HP 3000 RPM  
Offset Motor

PHONE: I 775 883 1072 FAX: I 775 883 4857