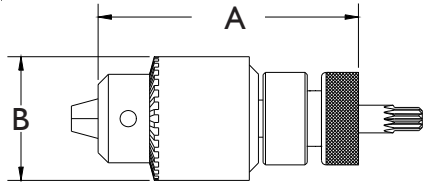


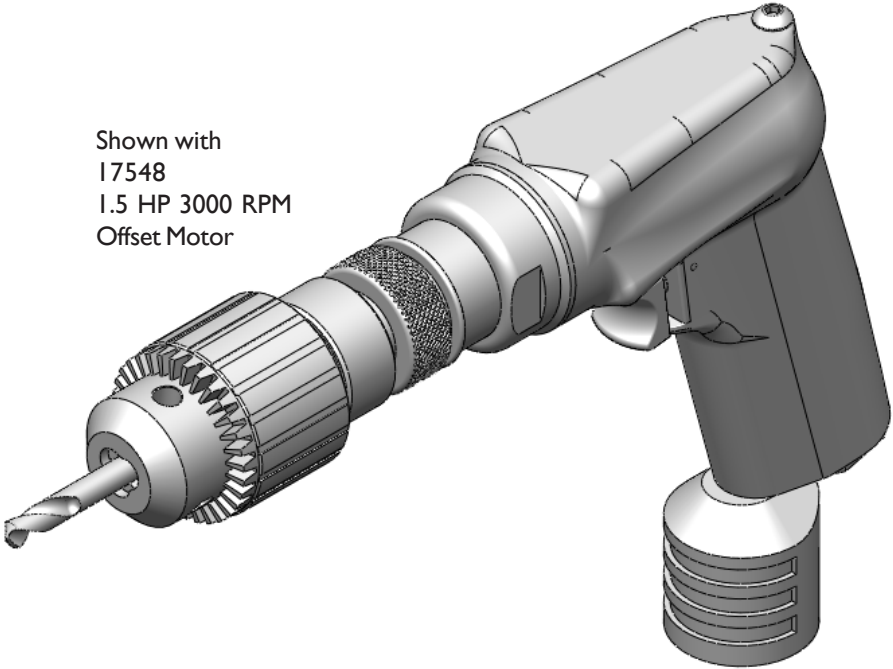
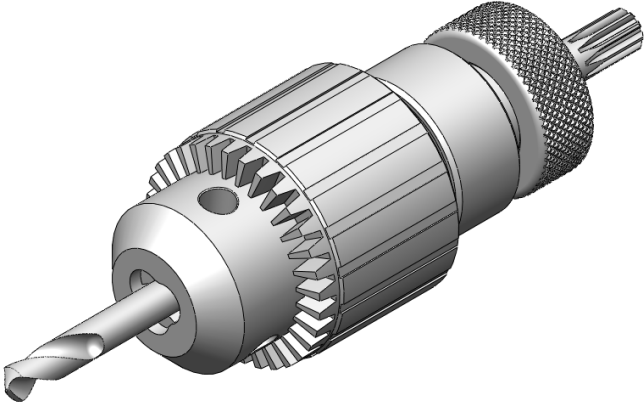
	A	B	0-3/8 CHUCK	
INCH	3.515	1.670	MAXIMUM RECOMMENDED	.375
MM	89.28	42.41	DRILL DIAMETER	9.52 mm



0-3/8 CHUCK ATTACHMENT
I5037 ATTACHMENT ONLY



CHUCK KEY AND LEASH INCLUDED



Shown with
I7548
1.5 HP 3000 RPM
Offset Motor

PHONE: 1 775 883 1072 FAX: 1 775 883 4857