

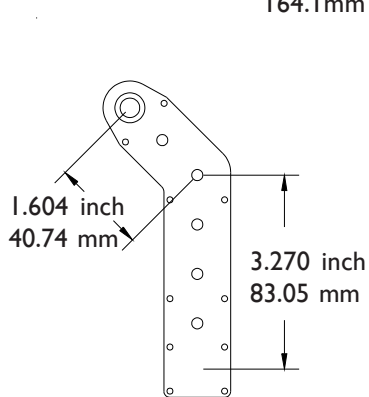
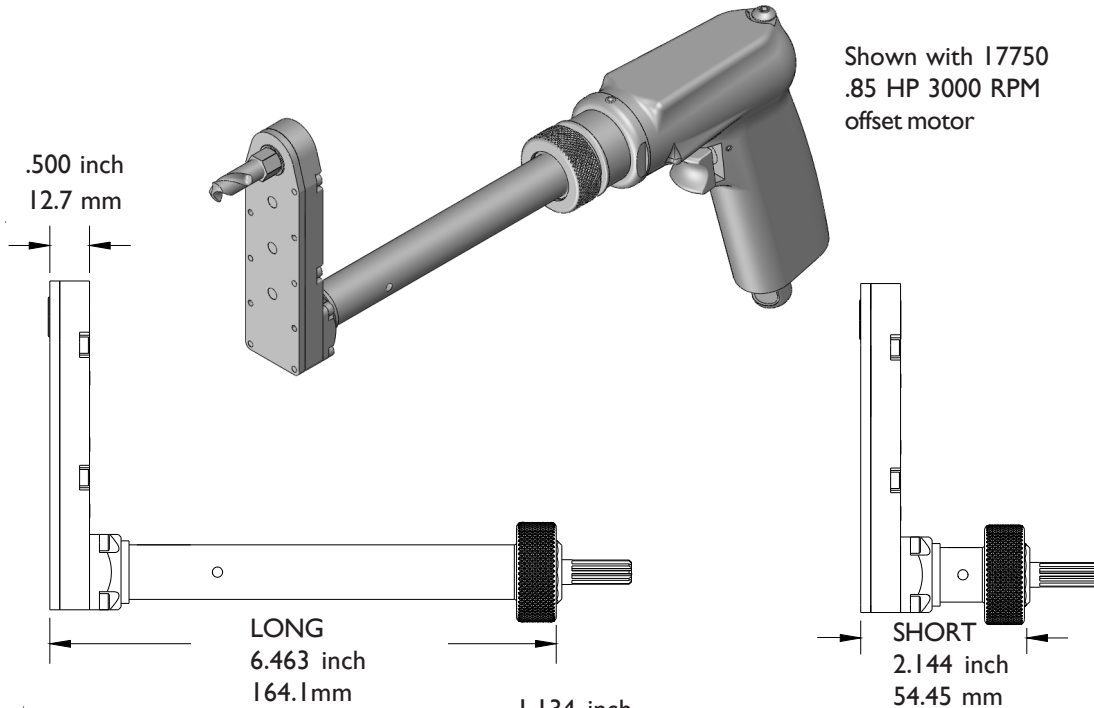
LTD SERIES 4

ALL BEARING L TYPE DRILLS

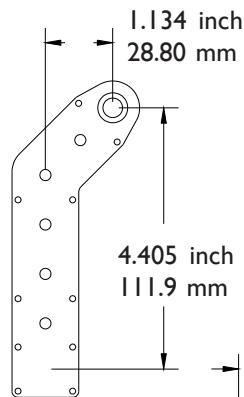
ATTACHMENTS ONLY



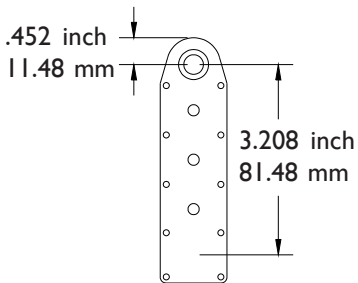
Shown with I7750
.85 HP 3000 RPM
offset motor



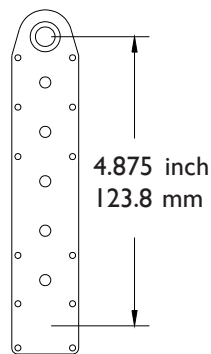
17884 LONG
17885 SHORT



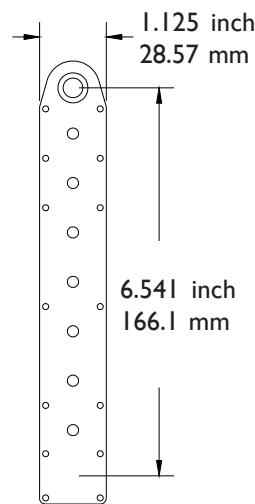
17886 LONG
17887 SHORT



17726 LONG
17768 SHORT

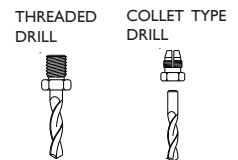


17736 LONG
17769 SHORT



17737 LONG
17770 SHORT

You must select an
internal thread



INTERNAL THREAD CODE	
1/4-28	A
9/32-40	E
5/16-24	F
3/8-24	Z
7mm COLLET	D
3/8-24 MALE	Y

PHONE: 775 883 1072 FAX: 775 883 4857