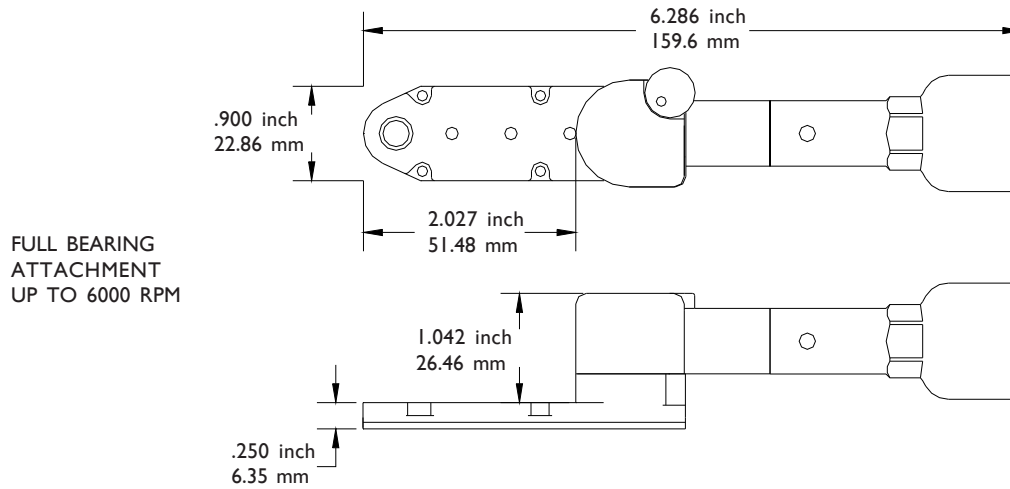


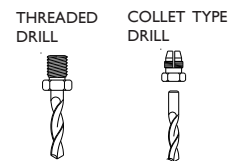


20910 SERIES | PANCAKE DRILL



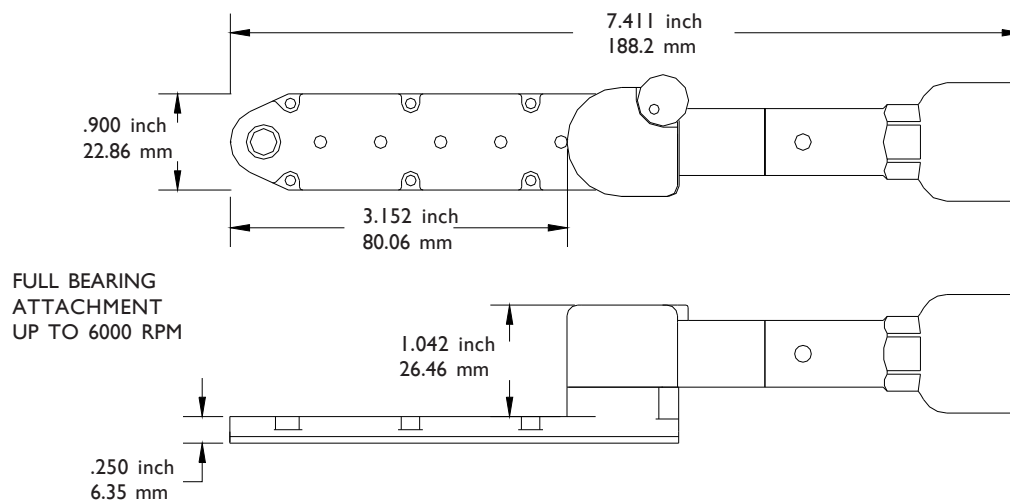
FULL BEARING
ATTACHMENT
UP TO 6000 RPM

You must select an
internal thread



INTERNAL THREAD CODE	
1/4-28	A
10-32	C
9/32-40	E
5/16-24	F
7mm COLLET	D

20911 SERIES | PANCAKE DRILL



FULL BEARING
ATTACHMENT
UP TO 6000 RPM

One inch 20 pitch thread with
nine tooth spline drive adapts to
Dotco
American Pneumatic
Buckeye
Rockwell
DeSoutter