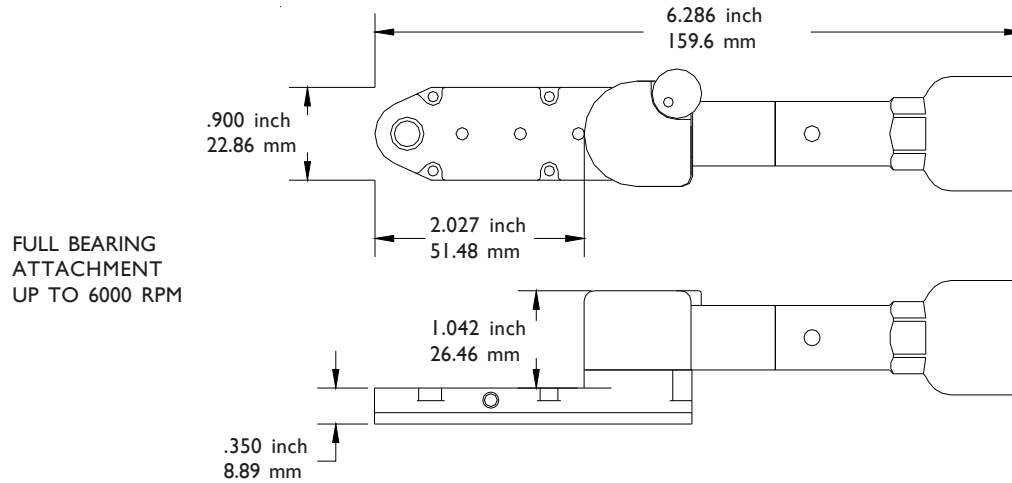
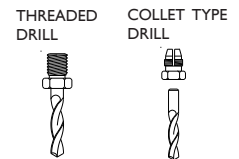


20912 SERIES 2 PANCAKE DRILL

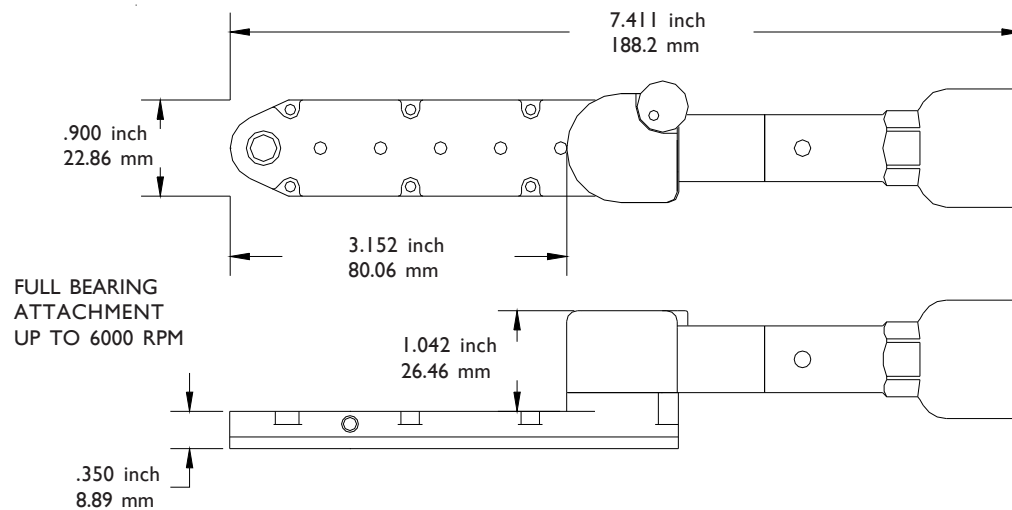


You must select an internal thread



INTERNAL THREAD CODE	
1/4-28	A
10-32	C
9/32-40	E
5/16-24	F
7mm COLLET	D

20913 SERIES 2 PANCAKE DRILL



One inch 20 pitch thread with nine tooth spline drive adapts to Dotco American Pneumatic Buckeye Rockwell DeSoutter