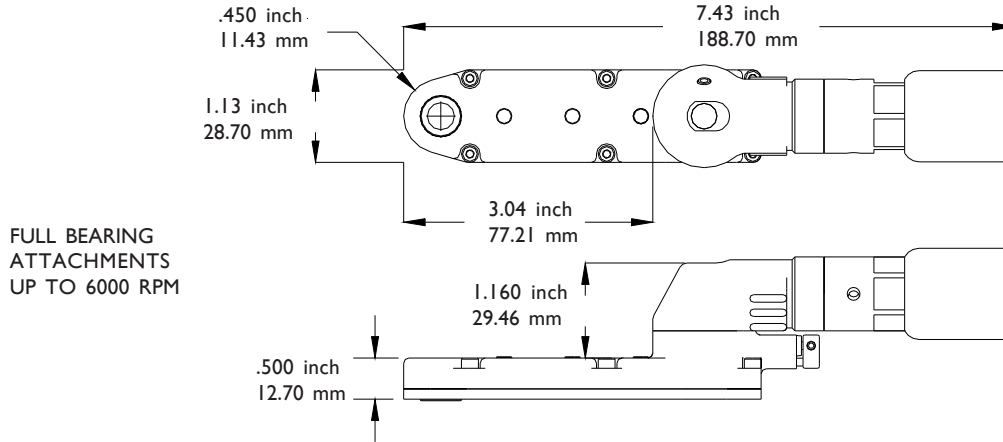
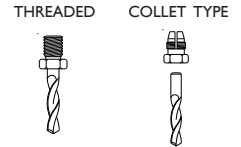
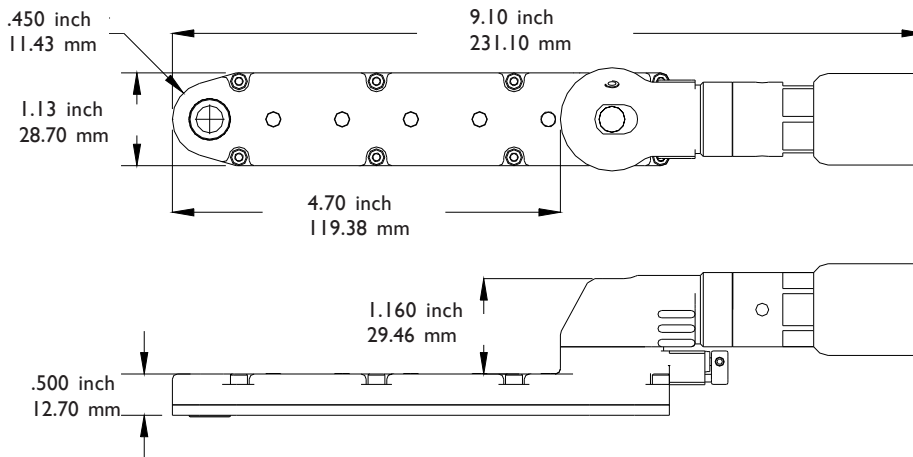


20914 SERIES 4 PANCAKE DRILL



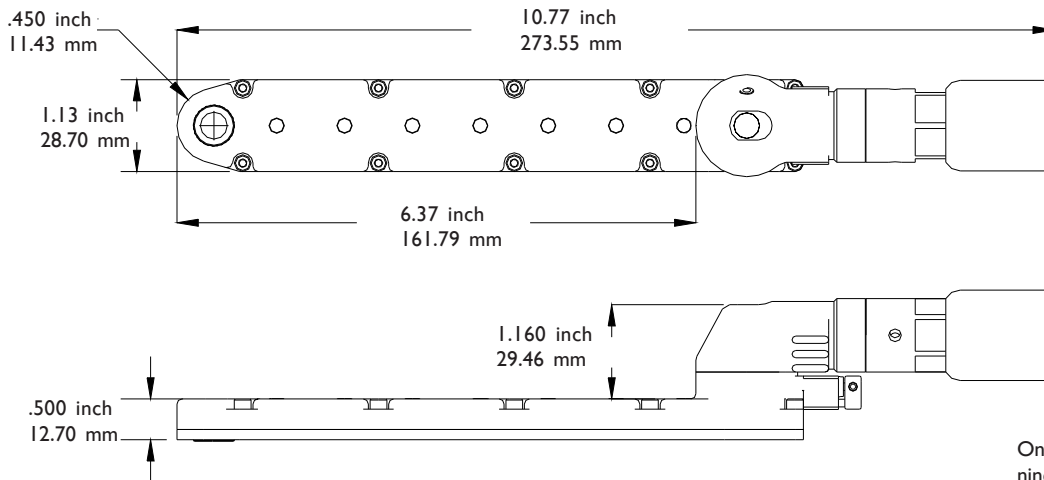
FULL BEARING ATTACHMENTS UP TO 6000 RPM

20915 SERIES 4 PANCAKE DRILL



INTERNAL THREAD CODE	
1/4-28	A
9/32-40	E
5/16-24	F
3/8-24	Z
7mm COLLET	D
3/8-24 MALE	Y

20916 SERIES 4 PANCAKE DRILL



One inch 20 pitch thread with nine tooth spline drive adapts to Dotco American Pneumatic Buckeye Rockwell DeSoutter