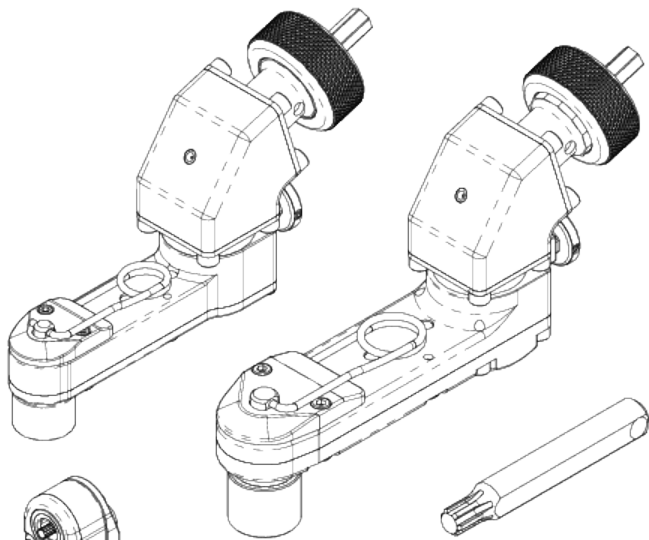
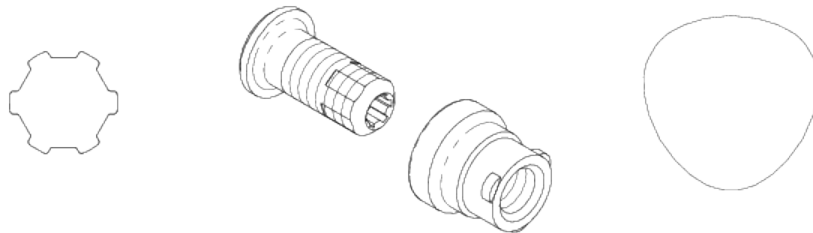
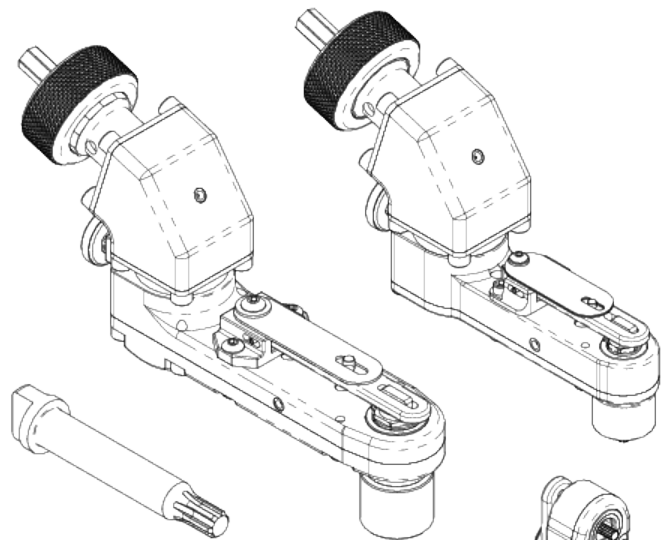


JIFFY-BOLT

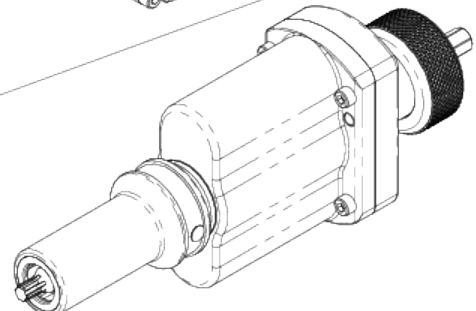
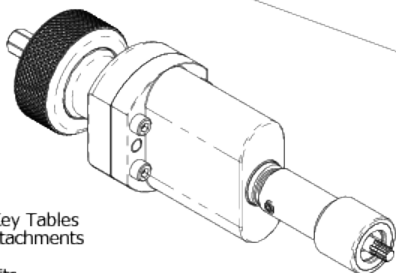
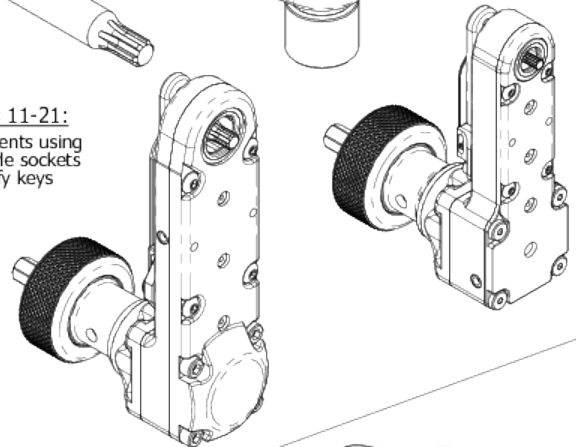
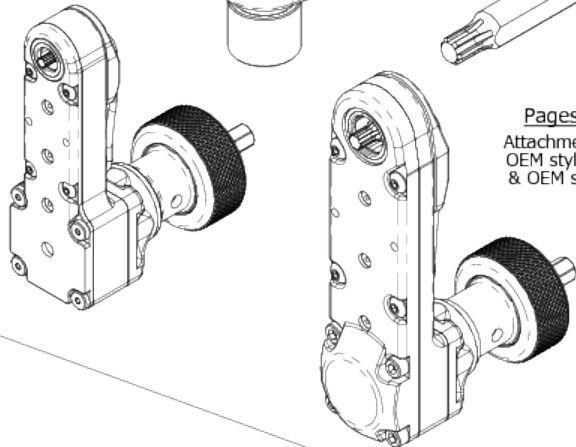
EDDIE-BOLT[®] 2 COMPATIBLE TOOL CATALOG



Pages 1-10:
Attachments using
OEM style sockets
& OEM style keys



Pages 11-21:
Attachments using
OEM style sockets
& Jiffy keys



Page Index:

- 22-24: Socket & Key Tables
- 25-26: Straight Attachments
- 27-28: Motors
- 29-30: Removal Kits
- 31-34: OEM Crossover Tables
- 35: Safety
- 36: Notes

DRAWN: GILLIS01302020
REVISED: BROWN12132021