



MODEL 6600

NUT PLATE DRILL - ORDERING INFO

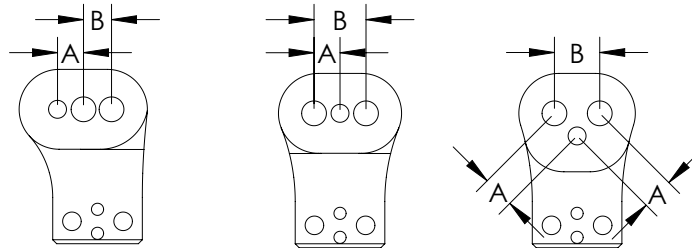


6600A (6000 RPM)
6600B (600 RPM)

FootType "A" "B" - ColletSizeCode_ColletGripCode-DrillCode-Accessories

SW DW MM (OMITTED ON DW)
COLLET TO DRILL SPACING "###"
DRILL TO DRILL SPACING "###(#)"
COLLET DIAMETER RANGE (SEE TABLE ON PG.2)
COLLET GRIP CODE (SEE TABLE)
DRILL SIZE CODE (SEE TABLE)
ACCESSORIES (SEE TABLE)

PART # EXAMPLES:
6600A-SW344_312-1406-23-6-N
6600A-DW1000-2500-40-8-N
6600B-MM344_486-1927-23-6-B



		SINGLE WING	DOUBLE WING	MICKEY MOUSE
A	MIN.	.203"	-	.203"
	MAX.	.512"	-	.630"
B	MIN.	.219"	.343"	.219"
	MAX.	.315"	1.125"	.891"

COLLET GRIP RANGE (WORKPIECE THICKNESS)		
GRIP CODE	MINIMUM	MAXIMUM
23	.02"	.27"
40	.27"	.52"

DRILL SIZE	
DRILL CODE	SHANK & C'SINK ϕ
6	.1875"
8	.2500"

DRILL BITS NOT SUPPLIED

ACCESSORY CODES	
CODE	DESCRIPTION
B	BOOSTER PUMP
N	NONE

OTHER ACCESSORIES TO BE DEVELOPED BASED ON CUSTOMER DEMAND. PLEASE CONTACT SALES DEPARTMENT.



MODEL 6600

NUT PLATE DRILL - COLLET SIZES

	PILOT HOLE Ø RANGE		COLLET SIZE CODE
	MIN.	MAX.	
*	.1160	.1200	1160
*	.1200	.1240	1200
	.1230	.1280	1230
	.1250	.1300	1250
	.1300	.1350	1300
	.1350	.1400	1358
	.1400	.1450	1406
	.1450	.1500	1458
	.1500	.1560	1510
	.1550	.1610	1562
	.1605	.1665	1614
	.1655	.1715	1667
	.1710	.1770	1719
	.1760	.1820	1771
	.1815	.1875	1823
	.1865	.1925	1875
	.1915	.1975	1927
	.1970	.2030	1979
	.2020	.2080	2031
	.2075	.2135	2083
	.2125	.2185	2136
	.2180	.2240	2188
	.2230	.2290	2240
	.2280	.2340	2292
	.2335	.2395	2344
	.2385	.2445	2396
	.2440	.2500	2448
	.2490	.2550	2500
	.2540	.2600	2552
	.2595	.2655	2604
	.2645	.2705	2656
	.2700	.2760	2708
	.2750	.2810	2760
	.2800	.2860	2812
	.2855	.2915	2864
	.2905	.2965	2917
	.2960	.3020	2969
	.3010	.3070	3021
	.3065	.3125	3073
	.3115	.3175	3125
	.3165	.3225	3177

	PILOT HOLE Ø RANGE		COLLET SIZE CODE
	MIN.	MAX.	
	.3220	.3280	3229
	.3270	.3330	3281
	.3325	.3385	3333
	.3375	.3435	3386
	.3430	.3490	3438
	.3480	.3540	3490
	.3530	.3590	3542
	.3585	.3645	3594
	.3635	.3695	3646
	.3690	.3750	3698
	.3740	.3800	.3750
	.3790	.3850	3802
	.3845	.3905	3854
	.3895	.3955	3906
	.3950	.4010	3958
	.4000	.4060	4010
	.4050	.4110	4062
	.4105	.4165	4114
	.4155	.4215	4167
	.4210	.4270	4219
	.4260	.4320	4271
	.4315	.4375	4323
	.4365	.4425	4375
	.4415	.4475	4427
	.4470	.4530	4479
	.4520	.4580	4531
	.4575	.4635	4583
	.4625	.4685	4636
	.4680	.4740	4688
	.4730	.4790	4740
	.4780	.4840	4792
	.4835	.4895	4844
	.4885	.4945	4896
	.4940	.5000	4948
	.4990	.5050	5000
	.5040	.5100	5052
	.5095	.5155	5104
	.5145	.5205	5156
	.5200	.5260	5208
	.5250	.5310	5260
	.5300	.5360	5312

	PILOT HOLE Ø RANGE		COLLET SIZE CODE
	MIN.	MAX.	
	.5355	.5415	5364
	.5405	.5465	5417
	.5460	.5520	5469
	.5510	.5570	5521
	.5565	.5625	5573
	.5615	.5675	5625
	.5665	.5725	5677
	.5720	.5780	5729
	.5770	.5830	5781
	.5825	.5885	5833
	.5875	.5935	5886
	.5930	.5990	5938
	.5980	.6040	5990
	.6030	.6090	6042
	.6085	.6145	6094
	.6135	.6195	6146
	.6190	.6250	6198
	.6240	.6300	6250
	.6295	.6355	6302
	.6345	.6405	6354
	.6395	.6455	6406
	.6450	.6510	6458
	.6500	.6560	6510
	.6550	.6610	6562
	.6605	.6665	6614
	.6655	.6715	6667
	.6710	.6770	6719
	.6760	.6820	6771
	.6815	.6875	6823
	.6865	.6925	6875
	.6915	.6975	6927
	.6970	.7030	6979
	.7020	.7080	7031
	.7075	.7135	7083
	.7125	.7185	7136
	.7180	.7240	7188
	.7230	.7290	7240
	.7280	.7340	7292
	.7335	.7395	7344
	.7385	.7445	7396
	.7440	.7500	7448
	.7490	.7550	7500

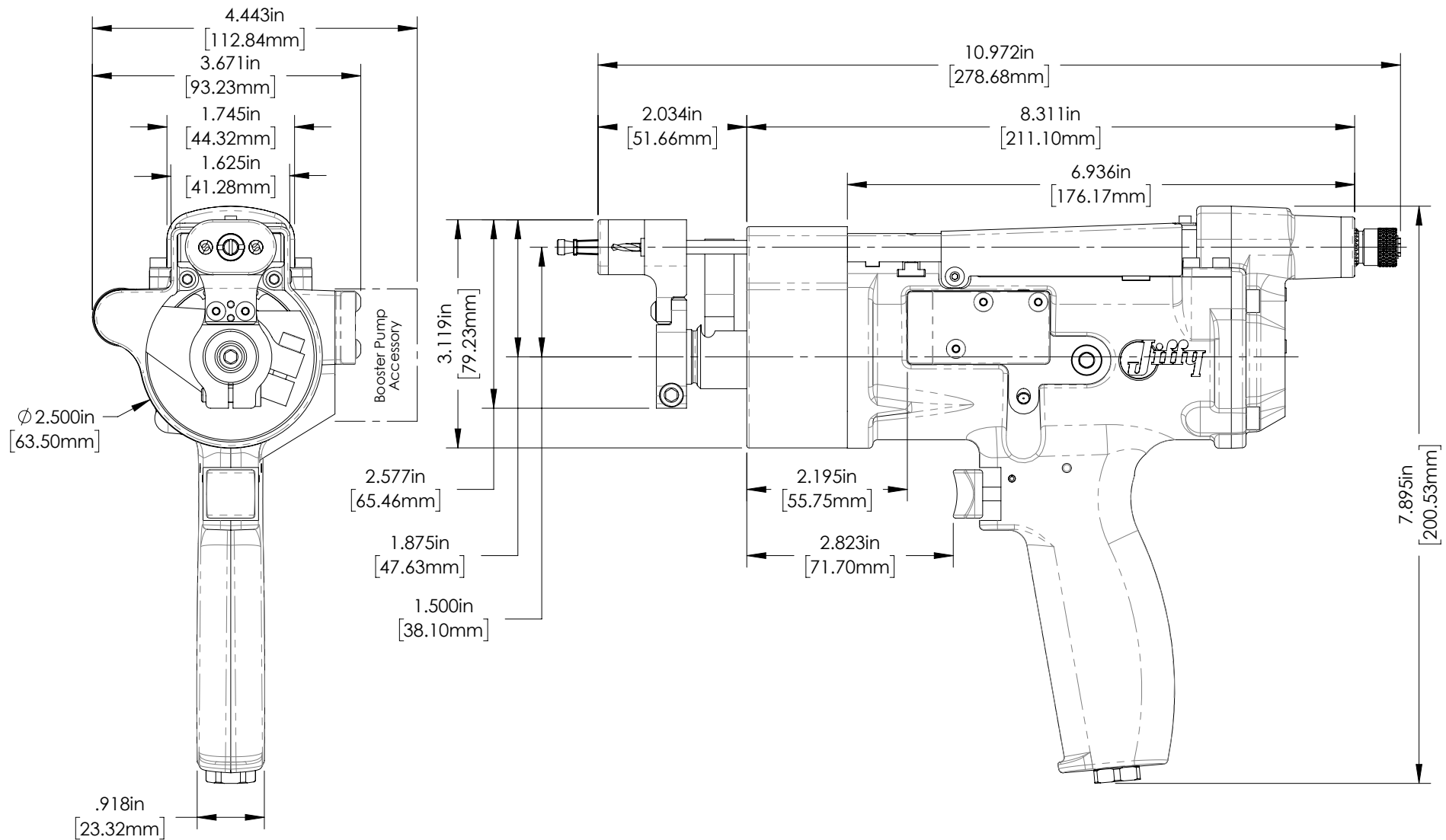
* These sizes are below the minimum design standards and a short life should be expected.

PHONE: 775-883-1072 FAX: 775-883-4857 WEB: www.jiffyairtool.com



MODEL 6600

NUT PLATE DRILL - BASIC SIZE DIMENSIONS



PHONE: 775-883-1072 FAX: 775-883-4857 WEB: www.jiffyairtool.com

MODEL 6600 NUTPLATE DRILL

COLLET, MANDREL, AND BUSHING SELECTION FOR THREADED COLLET BORE FEET



HOLE SIZE RANGE		COLLET		COLLET PART NO.	MANDREL PART NO.	BUSHING PART NO.	HOLE SIZE RANGE		COLLET		COLLET PART NO.	MANDREL PART NO.	BUSHING PART NO.
MIN.	MAX.	SIZE CODE	LENGTH CODE				MIN.	MAX.	SIZE CODE	LENGTH CODE			
.1160	.1200	1160	23	30205	30204	30536	.2440	.2500	2448	23	30275	30274	30560
			40	30208	30207					40	30279	30278	
.1200	.1240	1200	23	30206	30204		.2490	.2550	2500	23	30276	30274	30561
			40	30209	30207					40	30280	30278	
.1230	.1280	1230	23	30211	30210		.2540	.2600	2552	23	30277	30274	30562
			40	30215	30214					40	30281	30278	
.1250	.1300	1250	23	30212	30210		.2595	.2655	2604	23	30283	30282	30563
			40	30216	30214					40	30287	30286	
.1300	.1350	1300	23	30213	30210		.2645	.2705	2656	23	30284	30282	30564
			40	30217	30214					40	30288	30286	
.1350	.1400	1358	23	30219	30218		.2700	.2760	2708	23	30285	30282	30565
			40	30223	30222					40	30289	30286	
.1400	.1450	1406	23	30220	30218		.2750	.2810	2760	23	30291	30290	30566
			40	30224	30222					40	30295	30294	
.1450	.1500	1458	23	30221	30218	.2800	.2860	2812	23	30292	30290	30567	
			40	30225	30222				40	30296	30294		
.1500	.1560	1510	23	30227	30226	.2855	.2915	2864	23	30293	30290	30568	
			40	30231	30230				40	30297	30294		
.1550	.1610	1562	23	30228	30226	.2905	.2965	2917	23	30299	30298	30569	
			40	30232	30230				40	30303	30302		
.1605	.1665	1614	23	30229	30226	.2960	.3020	2969	23	30300	30298	30570	
			40	30233	30230				40	30304	30302		
.1655	.1715	1667	23	30235	30234	.3010	.3070	3021	23	30301	30298	30571	
			40	30239	30238				40	30305	30302		
.1710	.1770	1719	23	30236	30234	.3065	.3125	3073	23	30307	30306	30572	
			40	30240	30238				40	30311	30310		
.1760	.1820	1771	23	30237	30234	.3115	.3175	3125	23	30308	30306	30573	
			40	30241	30238				40	30312	30310		
.1815	.1875	1823	23	30243	30242	.3165	.3225	3177	23	30309	30306	30574	
			40	30247	30246				40	30313	30310		
.1865	.1925	1875	23	30244	30242	.3220	.3280	3229	23	30315	30314	BUSHING NOT REQ'D	
			40	30248	30246				40	30319	30318		
.1915	.1975	1927	23	30245	30242	.3270	.3330	3281	23	30316	30314		
			40	30249	30246				40	30320	30318		
.1970	.2030	1979	23	30251	30250	.3325	.3385	3333	23	30317	30314		
			40	30255	30254				40	30321	30318		
.2020	.2080	2031	23	30252	30250	.3375	.3435	3386	23	30323	30322		
			40	30256	30254				40	30327	30326		
.2075	.2135	2083	23	30253	30250	.3430	.3490	3438	23	30324	30322		
			40	30257	30254				40	30328	30326		
.2125	.2185	2136	23	30259	30258	.3480	.3540	3490	23	30325	30322		
			40	30263	30262				40	30329	30326		
.2180	.2240	2188	23	30260	30258	.3530	.3590	3542	23	30331	30330		
			40	30264	30262				40	30335	30334		
.2230	.2290	2240	23	30261	30258	.3585	.3645	3594	23	30332	30330		
			40	30265	30262				40	30336	30334		
.2280	.2340	2292	23	30267	30266	.3635	.3695	3646	23	30333	30330		
			40	30271	30270				40	30337	30334		
.2335	.2395	2344	23	30268	30266	.3690	.3750	3698	23	30339	30338		
			40	30272	30270				40	30343	30342		
.2385	.2445	2396	23	30269	30266	.3740	.3800	3750	23	30340	30338		
			40	30273	30270				40	30344	30342		

NOTES:

- 1.) THIS TABLE USED WITH FEET THAT HAVE A .1160/.3800 PILOT HOLE SIZE RANGE
- 2.) COLLET SIZES .1160 AND .1200 ARE BELOW MINIMUM DESIGN STANDARDS AND A SHORT LIFE SHOULD BE EXPECTED.

MODEL 6600 NUTPLATE DRILL

SINGLE WING (SW) CONFIGURATION DETAIL TABLE



		MODEL DESIGNATION	PILOT HOLE Ø RANGE		CUTTER		FOOT	REPLACEMENT DRILL BUSHINGS	MAT. THK. (COLLET GRIP RANGE)	COLLET	MANDREL	COLLET BUSHING	LIFT FINGER	FRONT SPINDLE SPACING	REAR SPINDLE SPACING	MINIATURE DRILL SPINDLES
"A" DIM	"B" DIM		MIN	MAX	DRILL Ø	CSINK Ø										
0.203	0.219	SW203-219	0.1094	0.1130	.067 OR .098	0.1875	30575	N/A	.02/.27 .27/.46	30201	30200	N/A	30161	30099-219	NARROW	MINI
			0.1160	0.1200	.067 OR .098	0.1875	30576	N/A	.02/.27 .27/.46	30205	30204	N/A				
			0.1400	0.1450	.067 OR .098	0.1875	30577	N/A	.02/.27 .27/.46	30220	30218 30222	N/A				
0.218	0.219	SW218-219	0.1250	0.1300	.067 OR .098	0.1875	30578	N/A	.02/.27 .27/.46	30212	30210 30214	N/A	30162	30099-219	NARROW	MINI
			0.1400	0.1450	.067 OR .098	0.1875	30579	N/A	.02/.27 .27/.46	30220	30218 30222	N/A				
			0.1605	0.1665	.067 OR .098	0.1875	30580	N/A	.02/.27 .27/.46	30229	30226 30230	N/A				
			0.1710	0.1770	.067 OR .098	0.1875	30581	N/A	.02/.27 .27/.46	30236	30234 30238	N/A				
			0.1915	0.1975	.067 OR .098	0.1875	30582	N/A	.02/.27 .27/.46	30245	30242 30246	N/A				
			0.2180	0.2240	.067 OR .098	0.1875	30583	N/A	.02/.27 .27/.46	30260	30258 30262	N/A				
0.234	0.219	SW234-219	0.1550	0.1610	.067 OR .098	0.1875	30584	N/A	.02/.27 .27/.46	30228	30226 30230	N/A	30163	30099-219	NARROW	MINI
			0.1605	0.1665	.067 OR .098	0.1875	30585	N/A	.02/.27 .27/.46	30229	30226 30230	N/A				
			0.1655	0.1715	.067 OR .098	0.1875	30586	N/A	.02/.27 .27/.46	30235	30234 30238	N/A				
			0.1710	0.1770	.067 OR .098	0.1875	30587	N/A	.02/.27 .27/.46	30236	30234 30238	N/A				
			0.1915	0.1975	.067 OR .098	0.1875	30588	N/A	.02/.27 .27/.46	30245	30242 30246	N/A				
			0.2180	0.2240	.067 OR .098	0.1875	30589	N/A	.02/.27 .27/.46	30260	30258 30262	N/A				
			0.2490	0.2550	.067 OR .098	0.1875	30590	N/A	.02/.27 .27/.46	30276	30274 30278	N/A				
0.250	0.219	SW250-219	0.1865	0.1925	.067 OR .098	0.1875	30591	N/A	.02/.27 .27/.46	30244	30242 30246	N/A	30164	30099-219	NARROW	MINI
			0.1915	0.1975	.067 OR .098	0.1875	30592	N/A	.02/.27 .27/.46	30245	30242 30246	N/A				
			0.2180	0.2240	.067 OR .098	0.1875	30593	N/A	.02/.27 .27/.46	30260	30258 30262	N/A				
			0.2800	0.2860	.067 OR .098	0.1875	30594	N/A	.02/.27 .27/.46	30292	30290 30294	N/A				
0.281	0.219	SW281-219	0.2490	0.2550	.067 OR .098	0.1875	30595	N/A	.02/.27 .27/.46	30276	30274 30278	N/A	30165	30099-219	NARROW	MINI
8.5mm (.335in)	8mm (0.315in)	SW335-315	0.1160	0.3800	.067 OR .098	0.1875	30596	30145	.02/.27 .27/.46				30166	30099-315	NARROW	STANDARD
0.344	0.312	SW344-312	0.1160	0.3800	.067 OR .098	0.1875	30597	30145	.02/.27 .27/.46				30167	30099-312	NARROW	STANDARD
			0.1160	0.3800	.098 OR .1285	0.2500	30598	30146	.02/.27 .27/.46							
9.5mm (.374in)	8mm (0.315in)	SW374-315	0.1160	0.3800	.067 OR .098	0.1875	30599	30145	.02/.27 .27/.46				30168	30099-315	NARROW	STANDARD
11mm (.433in)	8mm (0.315in)	SW433-315	0.1160	0.3800	.067 OR .098	0.1875	30600	30145	.02/.27 .27/.46				30169	30099-315	NARROW	STANDARD
			0.1160	0.3800	.098 OR .1285	0.2500	30601	30146	.02/.27 .27/.46							
0.468	0.312	SW468-312	0.1160	0.3800	.067 OR .098	0.1875	30602	30145	.02/.27 .27/.46				30170	30099-312	NARROW	STANDARD
0.500	0.312	SW500-312	0.1160	0.3800	.067 OR .098	0.1875	30603	30145	.02/.27 .27/.46				30171	30099-312	NARROW	STANDARD
			0.1160	0.3800	.098 OR .1285	0.2500	30604	30146	.02/.27 .27/.46							
			0.4050	0.4110	.067 OR .098	0.1875	30605	30145	.02/.27 .27/.46	30356	30354 30358	N/A				
13mm (.512in)	8mm (0.315in)	SW512-315	0.1160	0.3800	.098 OR .1285	0.2500	30606	30145	.02/.27 .27/.46				30171	30099-315	NARROW	STANDARD

MODEL 6600 NUTPLATE DRILL

MICKY MOUSE (MM) CONFIGURATION DETAIL TABLE



		MODEL DESIGNATION	PILOT HOLE Ø RANGE		CUTTER		FOOT	REPLACEMENT DRILL BUSHINGS	MAT. THK. (COLLET GRIP RANGE)	COLLET	MANDREL	COLLET BUSHING	LIFT FINGER	FRONT SPINDLE SPACING	REAR SPINDLE SPACING	MINIATURE DRILL SPINDLES							
"A" DIM	"B" DIM		MIN	MAX	DRILL Ø	CSINK Ø																	
0.258	0.219	MM258-219	0.1655	0.1715	.067 OR .098	0.1875	30607	N/A	.02/.27 .27/.46	30235 30239	30234 30238	N/A	30172	30099-219	NARROW	MINI							
0.273	0.219	MM273-219	0.1710	0.1770	.067 OR .098	0.1875	30904	N/A	.02/.27 .27/.46	30236 30240	30234 30238	N/A	30173	30099-219	NARROW	MINI							
			0.1865	0.1925	.067 OR .098	0.1875	30608	N/A	.02/.27 .27/.46	30244 30248	30242 30246	N/A											
			0.1915	0.1975	.067 OR .098	0.1875	30609	N/A	.02/.27 .27/.46	30245 30249	30242 30246	N/A											
			0.2075	0.2135	.067 OR .098	0.1875	30905	N/A	.02/.27 .27/.46	30253 30257	30250 30254	N/A											
				0.2180	0.2240	.067 OR .098	0.1875	30610	N/A	.02/.27 .27/.46	30260-S 30264-S	30258 30262					N/A						
				0.2490	0.2550	.067 OR .098	0.1875	30611	N/A	.02/.27 .27/.46	30276-S 30280-S	30274 30278					N/A						
				0.2800	0.2860	.067 OR .098	0.1875	30612	N/A	.02/.27 .27/.46	30292-S 30296-S	30290 30294					N/A						
			0.302	0.219	MM302-219	0.1400	0.1450	.067 OR .098	0.1875	30613	N/A	.02/.27 .27/.46					30220 30224	30218 30222	N/A	30174	30099-219	NARROW	MINI
						0.1865	0.1925	.067 OR .098	0.1875	30614	N/A	.02/.27 .27/.46					30244 30248	30242 30246	N/A				
0.2490	0.2550	.067 OR .098				0.1875	30615	N/A	.02/.27 .27/.46	30276 30280	30274 30278	N/A											
0.2595	0.2655	.067 OR .098				0.1875	30616	N/A	.02/.27 .27/.46	30283 30287	30282 30286	N/A											
0.383	0.269	MM383-269	0.1160	0.3800	.098 OR .1285	0.2500	30617	N/A	.02/.27 .27/.46				30175	30099-269	NARROW	MINI							
0.203	0.287	MM203-287	0.1605	0.1665	.067 OR .098	0.1875	30618	N/A	.02/.27 .27/.46	30229 30233	30226 30230	N/A	30176	30099-287	NARROW	MINI							
0.375	0.300	MM375-300	0.1160	0.3800	.098 OR .1285	0.2500	30619	N/A	.02/.27 .27/.46				30177	30099-300	NARROW	STANDARD							
0.463	0.300	MM463-300	0.1160	0.3800	.098 OR .1285	0.2500	30620	N/A	.02/.27 .27/.46				30178	30099-300	NARROW	STANDARD							
0.218	0.308	MM218-308	0.1400	0.1450	.067 OR .098	0.1875	30621	N/A	.02/.27 .27/.46	30220 30224	30218 30222	N/A	30179	30099-308	NARROW	STANDARD							
0.234	0.331	MM234-331	0.1400	0.1450	.067 OR .098	0.1875	30622	30145	.02/.27 .27/.46	30220 30224	30218 30222	N/A	30180	STANDARD	NARROW	STANDARD							
			0.1500	0.1560	.067 OR .098	0.1875	30623	30145	.02/.27 .27/.46	30227 30231	30226 30230	N/A											
			0.1655	0.1450	.067 OR .098	0.1875	30624	30145	.02/.27 .27/.46	30235 30239	30234 30238	N/A											
			0.1710	0.1770	.067 OR .098	0.1875	30625	30145	.02/.27 .27/.46	30236 30240	30234 30238	N/A											
			0.1760	0.1820	.067 OR .098	0.1875	30626	30145	.02/.27 .27/.46	30237 30241	30234 30238	N/A											
			0.1865	0.1925	.067 OR .098	0.1875	30627	30145	.02/.27 .27/.46	30244 30248	30242 30246	N/A											
			0.1915	0.1975	.067 OR .098	0.1875	30628	30145	.02/.27 .27/.46	30245 30249	30242 30246	N/A											
				0.2180	0.2240	.067 OR .098	0.1875	30629	30145	.02/.27 .27/.46	30260-S 30264-S	30258 30262					N/A						
			6mm (.236in)	8.48mm (.334in)	MM236-334	0.1160	0.1200	.067 OR .098	0.1875	30630	30145	.02/.27 .27/.46					30205 30208	30204 30207	N/A	30181	STANDARD	NARROW	STANDARD
0.1200	0.1240	.067 OR .098				0.1875	30631	30145	.02/.27 .27/.46	30206 30209	30204 30207	N/A											
0.1230	0.1280	.067 OR .098				0.1875	30632	30145	.02/.27 .27/.46	30211 30215	30210 30214	N/A											
0.250	0.354	MM250-354	0.1550	0.1610	.067 OR .098	0.1875	30633	30145	.02/.27 .27/.46	30228 30232	30226 30230	N/A	30182	STANDARD	NARROW	STANDARD							
			0.1605	0.1665	.067 OR .098	0.1875	30634	30145	.02/.27 .27/.46	30229 30233	30226 30230	N/A											
			0.1865	0.1925	.067 OR .098	0.1875	30635	30145	.02/.27 .27/.46	30244 30248	30242 30246	N/A											
			0.1915	0.1975	.067 OR .098	0.1875	30636	30145	.02/.27 .27/.46	30245 30249	30242 30246	N/A											
				0.2180	0.2240	.067 OR .098	0.1875	30637	N/A	.02/.27 .27/.46	30260-S 30264-S	30258 30262					N/A						
				0.2335	0.2395	.067 OR .098	0.1875	30638	N/A	.02/.27 .27/.46	30268 30272	30266 30270					N/A						
				0.2490	0.2550	.067 OR .098	0.1875	30639	N/A	.02/.27 .27/.46	30276-S 30280-S	30274 30278					N/A						
0.281	0.398	MM281-398	0.1865	0.1925	.067 OR .098	0.1875	30640	30145	.02/.27 .27/.46	30244 30248	30242 30246	N/A	30183	STANDARD	NARROW	STANDARD							
			0.2490	0.2550	.067 OR .098	0.1875	30641	30145	.02/.27 .27/.46	30276 30280	30274 30278	N/A											
			0.2700	0.2760	.067 OR .098	0.1875	30642	30145	.02/.27 .27/.46	30285 30289	30282 30286	N/A											
0.482	0.400	MM482-400	0.1160	0.3800	.098 OR .1285	0.2500	30643	30146	.02/.27 .27/.46				30178	STANDARD	NARROW	STANDARD							

**MODEL 6600
NUTPLATE DRILL**

**MICKY MOUSE (MM)
CONFIGURATION DETAIL TABLE**



		MODEL DESIGNATION	PILOT HOLE Ø RANGE		CUTTER		FOOT	REPLACEMENT DRILL BUSHINGS	MAT. THK. (COLLET GRIP RANGE)	COLLET	MANDREL	COLLET BUSHING	LIFT FINGER	FRONT SPINDLE SPACING	REAR SPINDLE SPACING	MINIATURE DRILL SPINDLES
"A" DIM	"B" DIM		MIN	MAX	DRILL Ø	CSINK Ø										
8.5mm (.335in)	12.02mm (.473in)	MM335-473	0.1160	0.3800	.067 OR .098	0.1875	30644	30145	.02/.27 .27/.46	△	△	△	30184	STANDARD	NARROW	STANDARD
0.344	0.486	MM344-486	0.1160	0.3800	.067 OR .098	0.1875	30645	30145	.02/.27 .27/.46	△	△	△	30185	STANDARD	NARROW	STANDARD
0.414	0.486	MM414-486	0.1160	0.3800	.067 OR .098	0.1875	30646	30145	.02/.27 .27/.46	△	△	△	30186	STANDARD	NARROW	STANDARD
11mm (.433in)	15.56mm (.612in)	MM433-612	0.1160	0.3800	.098 OR .1285	0.2500	30647	30146	.02/.27 .27/.46	△	△	△	30187	STANDARD	NARROW	STANDARD
0.437	0.618	MM437-618	0.1160	0.3800	.067 OR .098	0.1875	30648	30145	.02/.27 .27/.46	△	△	△	30187	STANDARD	NARROW	STANDARD
0.468	0.662	MM468-662	0.1710	0.1770	.067 OR .098	0.1875	30649	30145	.02/.27 .27/.46	△	△	△	30188	STANDARD	STANDARD	STANDARD
0.480	0.688	MM480-688	0.1160	0.3800	.067 OR .098	0.1875	30650	30145	.02/.27 .27/.46	△	△	△	30186	STANDARD	STANDARD	STANDARD
0.500	0.706	MM500-706	0.1160	0.3800	.067 OR .098	0.1875	30651	30145	.02/.27 .27/.46	△	△	△	30189	STANDARD	STANDARD	STANDARD
			0.1160	0.3800	.098 OR .1285	0.2500	30652	30146	.02/.27 .27/.46	△	△	△				
			0.3790	0.3850	.098 OR .1285	0.2500	30653	30146	.02/.27 .27/.46	30341 30345	30338 30342	N/A				
			0.3845	0.3905	.098 OR .1285	0.2500	30654	30146	.02/.27 .27/.46	30347 30351	30346 30350	N/A				
			0.3895	0.3955	.067 OR .098	0.1875	30655	30145	.02/.27 .27/.46	30348 30352	30346 30350	N/A				
			0.3895	0.3955	.098 OR .1285	0.2500	30656	30146	.02/.27 .27/.46	30348 30352	30346 30350	N/A				
			0.4365	0.4420	.098 OR .1285	0.2500	30657	30146	.02/.27 .27/.46	30372 30376	30370 30374	N/A				
0.515	0.707	MM515-707	0.1160	0.3800	.067 OR .098	0.1875	30658	30145	.02/.27 .27/.46	△	△	△	30190	STANDARD	STANDARD	STANDARD
0.596	0.707	MM596-707	0.1160	0.3800	.067 OR .098	0.1875	30659	30145	.02/.27 .27/.46	△	△	△	30191	STANDARD	STANDARD	STANDARD
13mm (.512in)	18.38mm (.724in)	MM512-724	0.1160	0.3800	.098 OR .1285	0.2500	30660	30146	.02/.27 .27/.46	△	△	△	30192	STANDARD	STANDARD	STANDARD
0.562	0.793	MM562-793	0.1160	0.3800	.067 OR .098	0.1875	30661	30145	.02/.27 .27/.46	△	△	△	30193	STANDARD	STANDARD	STANDARD
			0.1160	0.3800	.098 OR .1285	0.2500	30662	30146	.02/.27 .27/.46	△	△	△				
			0.3845	0.3905	.067 OR .098	0.1875	30663	30145	.02/.27 .27/.46	30347 30351	30346 30350	N/A				
			0.3895	0.3955	.067 OR .098	0.1875	30664	30146	.02/.27 .27/.46	30348 30352	30346 30350	N/A				
0.625	0.884	MM625-884	0.4990	0.5050	.1285 OR .1590	0.3125	30665	30147	.02/.27 .27/.46	30404 30408	30402 30406	N/A	30194	STANDARD	WIDE	STANDARD
16mm (.630in)	22.63mm (.891in)	MM630-891	0.4105	0.4165	.098 OR .1285	0.2500	30666	30146	.02/.27 .27/.46	30357 30361	30354 30358	N/A	30194	STANDARD	WIDE	STANDARD

**MODEL 6600
NUTPLATE DRILL**

**DOUBLE WING (DW)
CONFIGURATION DETAIL TABLE**



		MODEL DESIGNATION	PILOT HOLE Ø RANGE		CUTTER		FOOT	REPLACEMENT DRILL BUSHINGS	MAT. THK. (COLLET GRIP RANGE)	COLLET	MANDREL	COLLET BUSHING	LIFT FINGER	FRONT SPINDLE SPACING	REAR SPINDLE SPACING	
"A" DIM	"B" DIM		MIN	MAX	DRILL Ø	CSINK Ø										
0.172	0.343	DW343	0.1350	0.1400	0.067	0.1250	30667	N/A	.02/.27 .27/.46	30219 30223	30218 30222	N/A	30160	STANDARD	NARROW	
			0.1400	0.1450	0.067	0.1250	30668	N/A	.02/.27 .27/.46	30220 30224	30218 30222	N/A				
			0.1500	0.1560	0.067	0.1250	30669	N/A	.02/.27 .27/.46	30227 30231	30226 30230	N/A				
			0.1605	0.1665	0.067	0.1250	30670	N/A	.02/.27 .27/.46	30229 30233	30226 30230	N/A				
			0.1865	0.1925	0.067	0.1250	30671	N/A	.02/.27 .27/.46	30244 30248	30242 30246	N/A				
0.188	0.375	DW375	0.1550	0.1610	0.067	0.1250	30672	N/A	.02/.27 .27/.46	30228 30232	30226 30230	N/A	30160	STANDARD	NARROW	
0.203	0.406	DW406	0.1160	0.1200	.067 OR .098	0.1875	30673	N/A	.02/.27 .27/.46	30205 30208	30204 30207	N/A	30160	STANDARD	NARROW	
			0.1200	0.1240	.067 OR .098	0.1875	30674	N/A	.02/.27 .27/.46	30206 30209	30204 30207	N/A				
			0.1230	0.1280	.067 OR .098	0.1875	30675	N/A	.02/.27 .27/.46	30211 30215	30210 30214	N/A				
			0.1250	0.1300	.067 OR .098	0.1875	30676	N/A	.02/.27 .27/.46	30212 30216	30210 30214	N/A				
			0.1400	0.1450	.067 OR .098	0.1875	30677	N/A	.02/.27 .27/.46	30220 30224	30218 30222	N/A				
			0.1500	0.1560	.067 OR .098	0.1875	30678	N/A	.02/.27 .27/.46	30227 30231	30226 30230	N/A				
			△4	0.1550	0.1610	.067 OR .098	0.1875	30679	N/A	.02/.27 .27/.46	30228-M 30232-M	30226 30230				N/A
			△2	0.1605	0.1665	.067 OR .098	0.1875	30680	N/A	.02/.27 .27/.46	30229-S 30233-S	30226 30230				N/A
			△2	0.1655	0.1715	.067 OR .098	0.1875	30681	N/A	.02/.27 .27/.46	30235-S 30239-S	30234 30238				N/A
			△2	0.1710	0.1770	.067 OR .098	0.1875	30682	N/A	.02/.27 .27/.46	30236-S 30240-S	30234 30238				N/A
0.218	0.437	DW437	0.1160	0.1200	.067 OR .098	0.1875	30683	30145	.02/.27 .27/.46	30205 30208	30204 30207	N/A	30160	STANDARD	NARROW	
			0.1250	0.1300	.067 OR .098	0.1875	30684	30145	.02/.27 .27/.46	30212 30216	30210 30214	N/A				
			0.1300	0.1350	.067 OR .098	0.1875	30685	30145	.02/.27 .27/.46	30213 30217	30210 30214	N/A				
			0.1350	0.1400	.067 OR .098	0.1875	30686	30145	.02/.27 .27/.46	30219 30223	30218 30222	N/A				
			0.1400	0.1450	.067 OR .098	0.1875	30687	30145	.02/.27 .27/.46	30220 30224	30218 30222	N/A				
			0.1450	0.1500	.067 OR .098	0.1875	30688	30145	.02/.27 .27/.46	30221 30225	30218 30222	N/A				
			0.1550	0.1610	.067 OR .098	0.1875	30689	30145	.02/.27 .27/.46	30228 30232	30226 30230	N/A				
			0.1605	0.1665	.067 OR .098	0.1875	30690	30145	.02/.27 .27/.46	30229 30233	30226 30230	N/A				
			0.1655	0.1715	.067 OR .098	0.1875	30691	N/A	.02/.27 .27/.46	30235 30239	30234 30238	N/A				
			0.1710	0.1770	.067 OR .098	0.1875	30692	N/A	.02/.27 .27/.46	30236 30240	30234 30238	N/A				
			△2	0.1865	0.1929	.067 OR .098	0.1875	30693	N/A	.02/.27 .27/.46	30244-S 30248-S	30242 30246				N/A
			△2	0.1915	0.1975	.067 OR .098	0.1875	30694	N/A	.02/.27 .27/.46	30245-S 30249-S	30242 30246				N/A
			△2	0.1970	0.2030	.067 OR .098	0.1875	30695	N/A	.02/.27 .27/.46	30251-S 30255-S	30250 30254				N/A
			△3	0.2180	0.2240	.067 OR .098	0.1875	30696	N/A	.02/.27 .27/.46	30260-L 30264-L	30258 30262				N/A
			△3	0.2230	0.2299	.067 OR .098	0.1875	30697	N/A	.02/.27 .27/.46	30261-L 30265-L	30258 30262				N/A
0.225	0.250	DW450	0.1400	0.1450	.067 OR .098	0.1875	30698	30145	.02/.27 .27/.46	30220 30224	30218 30222	N/A	30160	STANDARD	NARROW	
			0.1915	0.1975	.067 OR .098	0.1875	30699	30145	.02/.27 .27/.46	30245 30249	30242 30246	N/A				
0.234	0.468	DW468	0.1250	0.1300	.067 OR .098	0.1875	30700	30145	.02/.27 .27/.46	30212 30216	30210 30214	N/A	30160	STANDARD	NARROW	
			0.1350	0.1400	.067 OR .098	0.1875	30701	30145	.02/.27 .27/.46	30219 30223	30218 30222	N/A				
			0.1400	0.1450	.067 OR .098	0.1875	30702	30145	.02/.27 .27/.46	30220 30224	30218 30222	N/A				
			0.1450	0.1500	.067 OR .098	0.1875	30703	30145	.02/.27 .27/.46	30221 30225	30218 30222	N/A				
			0.1550	0.1610	.067 OR .098	0.1875	30704	30145	.02/.27 .27/.46	30228 30232	30226 30230	N/A				
			0.1605	0.1665	.067 OR .098	0.1875	30705	30145	.02/.27 .27/.46	30229 30233	30226 30230	N/A				
			0.1655	0.1715	.067 OR .098	0.1875	30706	30145	.02/.27 .27/.46	30235 30239	30234 30238	N/A				
			△2	0.1655	0.1715	.098 OR .1285	0.2500	30707	N/A	.02/.27 .27/.46	30235-S 30239-S	30234 30238				N/A
			0.1710	0.1770	.067 OR .098	0.1875	30708	30145	.02/.27 .27/.46	30236 30240	30234 30238	N/A				
			0.1865	0.1925	.067 OR .098	0.1875	30709	30145	.02/.27 .27/.46	30244 30248	30242 30246	N/A				

**MODEL 6600
NUTPLATE DRILL**

**DOUBLE WING (DW)
CONFIGURATION DETAIL TABLE**



		MODEL DESIGNATION	PILOT HOLE Ø RANGE		CUTTER		FOOT	REPLACEMENT DRILL BUSHINGS	MAT. THK. (COLLET GRIP RANGE)	COLLET	MANDREL	COLLET BUSHING	LIFT FINGER	FRONT SPINDLE SPACING	REAR SPINDLE SPACING						
"A" DIM	"B" DIM		MIN	MAX	DRILL Ø	CSINK Ø															
0.262	0.525	DW525	0.1915	0.1975	.067 OR .098	0.1875	30752	30145	.02/.27 .27/.46	30245 30249	30242 30246	N/A	30160	STANDARD	NARROW						
			0.2180	0.2240	.067 OR .098	0.1875	30753	30145	.02/.27 .27/.46	30260 30264	30258 30262	N/A									
			0.2335	0.2395	.067 OR .098	0.1875	30754	30145	.02/.27 .27/.46	30268 30272	30266 30270	N/A									
			0.2490	0.2550	.067 OR .098	0.1875	30755	30145	.02/.27 .27/.46	30276 30280	30274 30278	N/A									
7mm (0.2755in)	14mm (.551in)	DW551 (14mm)	0.1915	0.1975	.067 OR .098	0.1875	30756	30145	.02/.27 .27/.46	30245 30249	30242 30246	N/A	30160	STANDARD	NARROW						
			0.1970	0.2030	.067 OR .098	0.1875	30757	30145	.02/.27 .27/.46	30251 30255	30250 30254	N/A									
			0.2020	0.2080	.067 OR .098	0.1875	30758	30145	.02/.27 .27/.46	30252 30256	30250 30254	N/A									
			0.2125	0.2185	.067 OR .098	0.1875	30759	30145	.02/.27 .27/.46	30259 30263	30258 30262	N/A									
			0.2180	0.2240	.067 OR .098	0.1875	30760	30145	.02/.27 .27/.46	30260 30264	30258 30262	N/A									
			0.2280	0.2340	.067 OR .098	0.1875	30761	30145	.02/.27 .27/.46	30267 30271	30266 30270	N/A									
			0.2335	0.2395	.067 OR .098	0.1875	30762	30145	.02/.27 .27/.46	30268 30272	30266 30270	N/A									
			0.2490	0.2550	.067 OR .098	0.1875	30763	30145	.02/.27 .27/.46	30276 30280	30274 30278	N/A									
			0.2540	0.2600	.067 OR .098	0.1875	30764	30145	.02/.27 .27/.46	30277 30281	30274 30278	N/A									
			0.281	0.562	DW562	0.1550	0.1610	.067 OR .098	0.1875	30765	30145	.02/.27 .27/.46				30228 30232	30226 30230	N/A	30160	STANDARD	NARROW
						0.1655	0.1715	.067 OR .098	0.1875	30766	30145	.02/.27 .27/.46				30235 30239	30234 30238	N/A			
						0.1865	0.1925	.067 OR .098	0.1875	30767	30145	.02/.27 .27/.46				30244 30248	30242 30246	N/A			
0.1865	0.1925	.098 OR .1285				0.2500	30768	30146	.02/.27 .27/.46	30244 30248	30242 30246	N/A									
0.1915	0.1975	.067 OR .098				0.1875	30769	30145	.02/.27 .27/.46	30245 30249	30242 30246	N/A									
0.1915	0.1975	.098 OR .1285				0.2500	30770	30146	.02/.27 .27/.46	30245 30249	30242 30246	N/A									
0.2075	0.2135	.067 OR .098				0.1875	30771	30145	.02/.27 .27/.46	30253 30257	30250 30254	N/A									
0.2180	0.2240	.067 OR .098				0.1875	30772	30145	.02/.27 .27/.46	30260 30264	30258 30262	N/A									
0.2230	0.2290	.067 OR .098				0.1875	30773	30145	.02/.27 .27/.46	30261 30265	30258 30262	N/A									
0.2280	0.2340	.067 OR .098				0.1875	30774	30145	.02/.27 .27/.46	30267 30271	30266 30270	N/A									
0.2385	0.2445	.067 OR .098				0.1875	30775	30145	.02/.27 .27/.46	30269 30273	30266 30270	N/A									
0.2440	0.2500	.067 OR .098				0.1875	30776	30145	.02/.27 .27/.46	30275 30279	30274 30278	N/A									
0.2490	0.2550	.067 OR .098				0.1875	30777	30145	.02/.27 .27/.46	30276 30280	30274 30278	N/A									
0.2490	0.2550	.098 OR .1285				0.2500	30778	N/A	.02/.27 .27/.46	30276-S 30280-S	30274 30278	N/A									
0.2540	0.2600	.067 OR .098				0.1875	30779	30145	.02/.27 .27/.46	30277 30281	30274 30278	N/A									
0.2595	0.2655	.067 OR .098				0.1875	30780	30145	.02/.27 .27/.46	30283 30287	30282 30286	N/A									
0.2645	0.2705	.067 OR .098				0.1875	30781	30145	.02/.27 .27/.46	30284 30288	30282 30286	N/A									
0.2700	0.2760	.067 OR .098				0.1875	30782	30145	.02/.27 .27/.46	30285 30289	30282 30286	N/A									
0.2750	0.2810	.067 OR .098				0.1875	30783	30145	.02/.27 .27/.46	30291 30295	30290 30294	N/A									
0.2800	0.2860	.067 OR .098				0.1875	30784	30145	.02/.27 .27/.46	30291 30295	30290 30294	N/A									
0.2800	0.2860	.098 OR .1285				0.2500	30785	N/A	.02/.27 .27/.46	30292 30296	30290 30294	N/A									
0.2855	0.2915	.067 OR .098				0.1875	30786	N/A	.02/.27 .27/.46	30293 30297	30290 30294	N/A									
0.2905	0.2965	.067 OR .098				0.1875	30787	N/A	.02/.27 .27/.46	30299 30303	30298 30302	N/A									
0.2960	0.3020	.067 OR .098				0.1875	30788	N/A	.02/.27 .27/.46	30300 30304	30298 30302	N/A									
0.3010	0.3070	.067 OR .098				0.1875	30789	N/A	.02/.27 .27/.46	30301 30305	30298 30302	N/A									
0.3065	0.3125	.067 OR .098				0.1875	30790	N/A	.02/.27 .27/.46	30307 30311	30306 30310	N/A									
0.3115	0.3175	.067 OR .098				0.1875	30791	N/A	.02/.27 .27/.46	30308 30312	30306 30310	N/A									
0.3430	0.3490	.067 OR .098				0.1875	30792	N/A	.02/.27 .27/.46	30324-L 30328-L	30322 30326	N/A									
0.284	0.568	DW568				0.1915	0.1975	.067 OR .098	0.1875	30793	30145	.02/.27 .27/.46	30245 30249	30242 30246	N/A	30160	STANDARD	NARROW			
						0.2490	0.2550	.067 OR .098	0.1875	30794	30145	.02/.27 .27/.46	30276 30280	30274 30278	N/A						

MODEL 6600 NUTPLATE DRILL

DOUBLE WING (DW) CONFIGURATION DETAIL TABLE

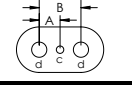
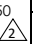


		MODEL DESIGNATION	PILOT HOLE Ø RANGE		CUTTER		FOOT	REPLACEMENT DRILL BUSHINGS	MAT. THK. (COLLET GRIP RANGE)	COLLET	MANDREL	COLLET BUSHING	LIFT FINGER	FRONT SPINDLE SPACING	REAR SPINDLE SPACING
"A" DIM	"B" DIM		MIN	MAX	DRILL Ø	CSINK Ø									
0.295	0.590	DW590	0.1605	0.1665	.067 OR .098	0.1875	30795	30145	.02/.27 .27/.46	30229 30233	30226 30230	N/A	30160	STANDARD	NARROW
			0.1665	0.1715	.067 OR .098	0.1875	30796	30145	.02/.27 .27/.46	30235 30239	30234 30238	N/A			
			0.1710	0.1770	.067 OR .098	0.1875	30797	30145	.02/.27 .27/.46	30236 30240	30234 30238	N/A			
			0.1865	0.1925	.067 OR .098	0.1875	30798	30145	.02/.27 .27/.46	30244 30248	30242 30246	N/A			
			0.1915	0.1975	.067 OR .098	0.1875	30799	30145	.02/.27 .27/.46	30245 30249	30242 30246	N/A			
			0.1970	0.2030	.067 OR .098	0.1875	30800	30145	.02/.27 .27/.46	30251 30255	30250 30254	N/A			
			0.2020	0.2080	.067 OR .098	0.1875	30801	30145	.02/.27 .27/.46	30252 30256	30250 30254	N/A			
			0.2125	0.2185	.067 OR .098	0.1875	30802	30145	.02/.27 .27/.46	30259 30263	30258 30262	N/A			
			0.2180	0.2240	.067 OR .098	0.1875	30803	30145	.02/.27 .27/.46	30260 30264	30258 30262	N/A			
			0.2440	0.2500	.067 OR .098	0.1875	30804	30145	.02/.27 .27/.46	30275 30279	30274 30278	N/A			
			0.2490	0.2550	.067 OR .098	0.1875	30805	30145	.02/.27 .27/.46	30276 30280	30274 30278	N/A			
			0.2540	0.2600	.098 OR .1285	0.2500	30806	N/A	.02/.27 .27/.46	30277 30281	30274 30278	N/A			
			0.2800	0.2860	.067 OR .098	0.1875	30807	30145	.02/.27 .27/.46	30292 30296	30290 30294	N/A			
			0.300	0.600	DW600	0.1865	0.1925	.067 OR .098	0.1875	30808	30145	.02/.27 .27/.46			
0.2180	0.2240	.067 OR .098				0.1875	30809	30145	.02/.27 .27/.46	30260 30264	30258 30262	N/A			
0.313	0.625	DW625 	0.1160	0.3800	.067 OR .098	0.1875	30810	30145	.02/.27 .27/.46				30160	STANDARD	STANDARD
			0.3115	0.3175	.098 OR .1285	0.2500	30811	N/A	.02/.27 .27/.46	30308-S 30312-S	30306 30310	N/A			
8mm (0.315in)	16mm (.630in)	DW630 (16mm)	0.1160	0.3800	.067 OR .098	0.1875	30812	30145	.02/.27 .27/.46				30160	STANDARD	STANDARD
			0.1550	0.1610	.098 OR .1285	0.2500	30813	30146	.02/.27 .27/.46	30228 30232	30226 30230	N/A			
			0.1605	0.1665	.098 OR .1285	0.2500	30814	30146	.02/.27 .27/.46	30229 30233	30226 30230	N/A			
			0.1915	0.1975	.098 OR .1285	0.2500	30902	30146	.02/.27 .27/.46	30245 30249	30242 30246	N/A			
			0.1970	0.2030	.098 OR .1285	0.2500	30815	30146	.02/.27 .27/.46	30251 30255	30250 30254	N/A			
			0.2020	0.2080	.098 OR .1285	0.2500	30816	30146	.02/.27 .27/.46	30252 30256	30250 30254	N/A			
			0.2180	0.2240	.098 OR .1285	0.2500	30903	30146	.02/.27 .27/.46	30260 30264	30258 30262	N/A			
			0.2335	0.2395	.098 OR .1285	0.2500	30817	30146	.02/.27 .27/.46	30268 30272	30266 30270	N/A			
0.328	0.656	DW656	0.1160	0.3800	.067 OR .098	0.1875	30818	30145	.02/.27 .27/.46				30160	STANDARD	STANDARD
8.55mm (.3345in)	17mm (.669in)	DW669 (17mm)	0.1160	0.3800	.067 OR .098	0.1875	30819	30145	.02/.27 .27/.46				30160	STANDARD	STANDARD
0.344	0.688	DW688	0.1160	0.3800	.067 OR .098	0.1875	30820	30145	.02/.27 .27/.46				30160	STANDARD	STANDARD
			0.1160	0.3800	.098 OR .1285	0.2500	30821	30146	.02/.27 .27/.46						
			0.2490	0.2550	.1285 OR .1590	0.3125	30822	30147	.02/.27 .27/.46	30276 30280	30274 30278	N/A			
9mm (.3545in)	18mm (.709in)	DW709 (18mm)	0.1160	0.3800	.067 OR .098	0.1875	30823	30145	.02/.27 .27/.46				30160	STANDARD	STANDARD
			0.1160	0.3800	.098 OR .1285	0.2500	30824	30146	.02/.27 .27/.46						
0.359	0.718	DW718	0.1160	0.3800	.067 OR .098	0.1875	30825	30145	.02/.27 .27/.46				30160	STANDARD	STANDARD
			0.1160	0.3800	.098 OR .1285	0.2500	30826	30146	.02/.27 .27/.46						
			0.3115	0.3175	.1285 OR .1590	0.3125	30827	30147	.02/.27 .27/.46	30308 30312	30306 30310	N/A			
9.5mm (.374in)	19mm (.748in)	DW748 (19mm)	0.1160	0.3800	.067 OR .098	0.1875	30828	30145	.02/.27 .27/.46				30160	STANDARD	STANDARD
			0.4315	0.4375	.098 OR .1285	0.2500	30829	N/A	.02/.27 .27/.46	30371 30375	30370 30374	N/A			
0.375	0.750	DW750 	0.1160	0.3800	.067 OR .098	0.1875	30830	30145	.02/.27 .27/.46				30160	STANDARD	STANDARD
			0.1160	0.3800	.098 OR .1285	0.2500	30831	30146	.02/.27 .27/.46						
			0.3790	0.3850	.067 OR .098	0.1875	30832	30145	.02/.27 .27/.46	30341 30345	30338 30342	N/A			
			0.3845	0.3905	.067 OR .098	0.1875	30833	30145	.02/.27 .27/.46	30347 30351	30346 30350	N/A			
			0.4365	0.4425	.067 OR .098	0.1875	30834	30145	.02/.27 .27/.46	30372 30376	30370 30374	N/A			
			0.4365	0.4425	.098 OR .1285	0.2500	30835	N/A	.02/.27 .27/.46	30372-S 30376-S	30370 30374	N/A			

MODEL 6600 NUTPLATE DRILL

DOUBLE WING (DW) CONFIGURATION DETAIL TABLE



		MODEL DESIGNATION	PILOT HOLE Ø RANGE		CUTTER		FOOT	REPLACEMENT DRILL BUSHINGS	MAT. THK. (COLLET GRIP RANGE)	COLLET	MANDREL	COLLET BUSHING	LIFT FINGER	FRONT SPINDLE SPACING	REAR SPINDLE SPACING
"A" DIM	"B" DIM		MIN	MAX	DRILL Ø	CSINK Ø									
0.375	0.750	DW750 	0.4680	0.4740	.067 OR .098	0.1875	30836	30145	.02/.27 .27/.46	30388 30392	30386 30390	N/A	30160	STANDARD	STANDARD
			0.4990	0.5050	.067 OR .098	0.1875	30837	N/A	.02/.27 .27/.46	30404-S 30408-S	30402 30406	N/A			
0.376	0.752	DW752	0.1160	0.3800	.067 OR .098	0.1875	30838	30145	.02/.27 .27/.46	△ △	△ △	△ △	30160	STANDARD	STANDARD
0.391	0.781	DW781	0.1160	0.3800	.067 OR .098	0.1875	30839	30145	.02/.27 .27/.46	△ △	△ △	△ △	30160	STANDARD	STANDARD
			0.1160	0.3800	.098 OR .1285	0.2500	30840	30146	.02/.27 .27/.46	△ △	△ △	△ △			
10mm (.3935in)	20mm (.787in)	DW787 (20mm)	0.1160	0.3800	.098 OR .1285	0.2500	30841	30146	.02/.27 .27/.46	△ △	△ △	△ △	30160	STANDARD	STANDARD
0.431	0.861	DW861	0.1160	0.3800	.067 OR .098	0.1875	30842	30145	.02/.27 .27/.46	△ △	△ △	△ △	30160	STANDARD	STANDARD
0.438	0.875	DW875	0.1160	0.3800	.067 OR .098	0.1875	30843	30145	.02/.27 .27/.46	△ △	△ △	△ △	30160	STANDARD	WIDE
			0.1160	0.3800	.098 OR .1285	0.2500	30844	30146	.02/.27 .27/.46	△ △	△ △	△ △			
			0.1160	0.3800	.1285 OR .1590	0.3125	30845	30147	.02/.27 .27/.46	△ △	△ △	△ △			
			0.3790	0.3855	.067 OR .098	0.1875	30846	30145	.02/.27 .27/.46	30341 30345	30338 30342	N/A			
			0.3790	0.3855	.098 OR .1285	0.2500	30847	30146	.02/.27 .27/.46	30341 30345	30338 30342	N/A			
			0.3845	0.3905	.067 OR .098	0.1875	30848	30145	.02/.27 .27/.46	30347 30351	30346 30350	N/A			
			0.3895	0.3955	.067 OR .098	0.1875	30849	30145	.02/.27 .27/.46	30348 30352	30346 30350	N/A			
			0.4000	0.4060	.067 OR .098	0.1875	30850	30145	.02/.27 .27/.46	30355 30359	30354 30358	N/A			
			0.4000	0.4060	.098 OR .1285	0.2500	30851	30146	.02/.27 .27/.46	30355 30359	30354 30358	N/A			
			0.4050	0.4110	.067 OR .098	0.1875	30852	30145	.02/.27 .27/.46	30356 30360	30354 30358	N/A			
			0.4050	0.4110	.098 OR .1285	0.2500	30853	30146	.02/.27 .27/.46	30356 30360	30354 30358	N/A			
			0.4365	0.4425	.067 OR .098	0.1875	30854	30145	.02/.27 .27/.46	30372 30376	30370 30374	N/A			
0.4990	0.5050	.067 OR .098	0.1875	30855	30145	.02/.27 .27/.46	30404 30408	30402 30406	N/A						
0.450	0.900	DW900	0.1160	0.3800	.067 OR .098	0.1875	30856	30145	.02/.27 .27/.46	△ △	△ △	△ △	30160	STANDARD	WIDE
11.5mm (.453in)	23mm (.906in)	DW23mm (.906in)	0.1160	0.3800	.067 OR .098	0.1875	30857	30145	.02/.27 .27/.46	△ △	△ △	△ △	30160	STANDARD	WIDE
12.5mm (.492in)	25mm (.984in)	DW25mm (.984in)	0.1160	0.3800	.067 OR .098	0.1875	30858	30145	.02/.27 .27/.46	△ △	△ △	△ △	30160	STANDARD	WIDE
			0.5510	0.5570	.098 OR .1285	0.2500	30859	30146	.02/.27 .27/.46	30429 30433	30426 30430	N/A			
0.500	1.000	DW1000	0.1160	0.3800	.067 OR .098	0.1875	30860	30145	.02/.27 .27/.46	△ △	△ △	△ △	30160	STANDARD	WIDE
			0.1160	0.3800	.098 OR .1285	0.2500	30861	30146	.02/.27 .27/.46	△ △	△ △	△ △			
			0.1160	0.3800	.1285 OR .1590	0.3125	30862	30147	.02/.27 .27/.46	△ △	△ △	△ △			
			0.3845	0.3905	.098 OR .1285	0.2500	30863	30146	.02/.27 .27/.46	30347 30351	30346 30350	N/A			
			0.3895	0.3955	.1285 OR .1590	0.3125	30864	30147	.02/.27 .27/.46	30348 30352	30346 30350	N/A			
			0.4000	0.4060	.098 OR .1285	0.2500	30865	30146	.02/.27 .27/.46	30355 30359	30354 30358	N/A			
			0.4050	0.4110	.098 OR .1285	0.2500	30866	30146	.02/.27 .27/.46	30356 30360	30354 30358	N/A			
			0.4105	0.4165	.098 OR .1285	0.2500	30900	30146	.02/.27 .27/.46	30357 30361	30354 30358	N/A			
			0.4315	0.4375	.067 OR .098	0.1875	30867	30145	.02/.27 .27/.46	30371 30375	30370 30374	N/A			
			0.4365	0.4425	.067 OR .098	0.1875	30868	30145	.02/.27 .27/.46	30372 30376	30370 30374	N/A			
			0.4365	0.4425	.098 OR .1285	0.2500	30869	30146	.02/.27 .27/.46	30372 30376	30370 30374	N/A			
			0.4520	0.4580	.067 OR .098	0.1875	30870	30145	.02/.27 .27/.46	30380 30384	30378 30382	N/A			
			0.4520	0.4580	.098 OR .1285	0.2500	30871	30146	.02/.27 .27/.46	30380 30384	30378 30382	N/A			
			0.4680	0.4740	.067 OR .098	0.1875	30872	30145	.02/.27 .27/.46	30388 30392	30386 30390	N/A			
			0.4990	0.5050	.098 OR .1285	0.2500	30873	30146	.02/.27 .27/.46	30404 30408	30402 30406	N/A			
			0.5460	0.5520	.098 OR .1285	0.2500	30874	30146	.02/.27 .27/.46	30428 30432	30426 30430	N/A			
			0.5615	0.5675	.098 OR .1285	0.2500	30875	30146	.02/.27 .27/.46	30436 30440	30434 30438	N/A			
			0.5930	0.5990	.067 OR .098	0.1875	30876	30145	.02/.27 .27/.46	30452 30456	30450 30454	N/A			
			0.6240	0.6300	.098 OR .1285	0.2500	30877	30146	.02/.27 .27/.46	30468 30472	30466 30470	N/A			

**MODEL 6600
NUTPLATE DRILL**

**DOUBLE WING (DW)
CONFIGURATION DETAIL TABLE**



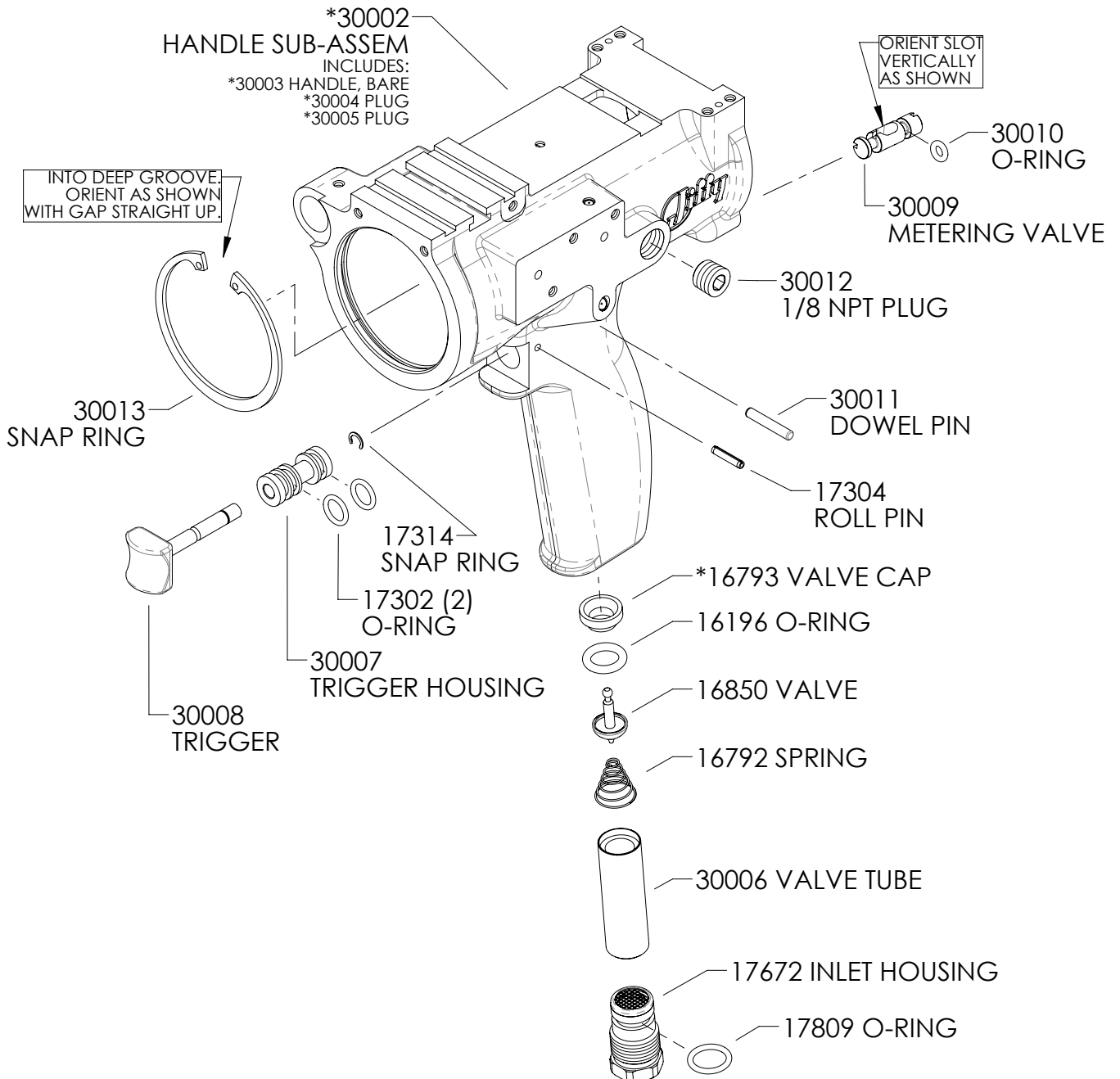
		MODEL DESIGNATION	PILOT HOLE Ø RANGE		CUTTER		FOOT	REPLACEMENT DRILL BUSHINGS	MAT. THK. (COLLET GRIP RANGE)	COLLET	MANDREL	COLLET BUSHING	LIFT FINGER	FRONT SPINDLE SPACING	REAR SPINDLE SPACING
"A" DIM	"B" DIM		MIN	MAX	DRILL Ø	CSINK Ø									
0.500	1.000	DW1000 ⚠	0.6550	0.6610	.067 OR .098	0.1875	30878	30145	.02/.27 .27/.46	30484 30488	30482 30486	N/A	30160	STANDARD	WIDE
			0.6865	0.6925	.098 OR .1285	0.2500	30879	TBD	.02/.27 .27/.46	30500 30504	30498 30502	N/A			
			0.7020	0.7080	.067 OR .098	0.1875	30880	30145	.02/.27 .27/.46	30508 30512	30506 30510	N/A			
13mm (.512in)	26mm (1.024in)	DW26mm (1.024in)	0.1160	0.3800	.067 OR .098	0.1875	30881	30145	.02/.27 .27/.46	⚠	⚠	⚠	30160	STANDARD	WIDE
			0.1160	0.3800	.1285 OR .1590	0.3125	30882	30147	.02/.27 .27/.46	⚠	⚠	⚠			
0.562	1.125	DW1125	0.1160	0.3800	.067 OR .098	0.1875	30883	30145	.02/.27 .27/.46	⚠	⚠	⚠	30160	STANDARD	WIDE
			0.1160	0.3800	.098 OR .1285	0.2500	30884	30146	.02/.27 .27/.46	⚠	⚠	⚠			
			0.1160	0.3800	.1285 OR .1590	0.3125	30885	30147	.02/.27 .27/.46	⚠	⚠	⚠			
			0.4365	0.4425	.067 OR .098	0.1875	30886	30145	.02/.27 .27/.46	30372 30376	30370 30374	N/A			
			0.4365	0.4425	.098 OR .1285	0.2500	30887	30146	.02/.27 .27/.46	30372 30376	30370 30374	N/A			
			0.4520	0.4580	.067 OR .098	0.1875	30888	30145	.02/.27 .27/.46	30380 30384	30378 30382	N/A			
			0.4520	0.4580	.098 OR .1285	0.2500	30889	30146	.02/.27 .27/.46	30380 30384	30378 30382	N/A			
			0.4680	0.4740	.067 OR .098	0.1875	30890	30145	.02/.27 .27/.46	30388 30392	30386 30390	N/A			
			0.4730	0.4790	.098 OR .1285	0.2500	30891	30146	.02/.27 .27/.46	30389 30393	30386 30390	N/A			
			0.4990	0.5050	.067 OR .098	0.1875	30892	30145	.02/.27 .27/.46	30404 30408	30402 30406	N/A			
			0.4990	0.5050	.098 OR .1285	0.2500	30893	30146	.02/.27 .27/.46	30404 30408	30402 30406	N/A			
			0.5355	0.5415	.067 OR .098	0.1875	30902	30145	.02/.27 .27/.46	30421 30425	30418 30422	N/A			
			0.5460	0.5520	.067 OR .098	0.1875	30894	30145	.02/.27 .27/.46	30428 30432	30426 30430	N/A			
			0.5565	0.5625	.067 OR .098	0.1875	30895	30145	.02/.27 .27/.46	30435 30439	30434 30438	N/A			
			0.5615	0.5675	.067 OR .098	0.1875	30896	30145	.02/.27 .27/.46	30436 30440	30434 30438	N/A			
			0.5665	0.5725	.067 OR .098	0.1875	30897	30145	.02/.27 .27/.46	30437 30441	30434 30438	N/A			
			0.5980	0.6040	.067 OR .098	0.1875	30901	30145	.02/.27 .27/.46	30453 30457	30450 30454	N/A			
			0.7490	0.7550	.067 OR .098	0.1875	30898	30145	.02/.27 .27/.46	30532 30535	30530 30533	N/A			

NOTES:

- ⚠ CONFIGURATION USES COLLETS, MANDRELS, & BUSHINGS FROM PAGE 1
- ⚠ CONFIGURATION USES "SPECIAL STRAIGHT TYPE" COLLETS
- ⚠ CONFIGURATION USES "SPECIAL LONG TYPE" COLLETS
- ⚠ CONFIGURATION USES "SPECIAL MODIFIED TYPE" COLLETS
- ⚠ CONFIGURATION USES 30069M/30071M MINI SPINDLES

*30001

HANDLE SUB-ASSEMBLY FOR MODEL 6600 NUT PLATE DRILL



30105

BOOSTER PUMP ASSEMBLY (FOR MODEL 6600 NUT PLATE DRILL)

